

NIAT PRODUCTS

**MITAD/MOGOGO WITH DUAL
HEATING ELEMNT**

Model : ZK116H-3EU

USE AND CARE BOOK
HOUSEHOLD USE ONLY



220V 50Hz 1600W.

IMPORTANT SAFETY INSTRUCTIONS

Basic safety Precautions should always be followed when using electrical appliances, including the following:

1. Read all Instructions.
2. During use the appliance becomes hot . Do not touch hot surfaces. Use handles or knobs. Accessible parts may become hot during use. Young children should be kept away.
3. To protect against electrical shock, do not immerse electrical cord in water or other liquid.
4. Close supervision is necessary when any appliance is used by or near children.
5. Unplug from outlet when not in use and before cleaning. Allow to cool before putting on or taking off parts, and before cleaning the appliance.
6. Do not operate any appliance with a damaged cord or plug or after the appliance malfunctions or has been damaged in any manner. Return appliance to the nearest authorized service facility for examination, repair or adjustment.
7. Do not use outdoors.
8. Do not let cord touch hot surfaces or hang over the edge of a counter or table.
9. Do not use the appliance for other than intended use.
10. Always attach plug to appliance first, and then plug cord into the wall outlet. After use, To disconnect, turn any control to "OFF" then remove plug from wall outlet.
11. Only use the appropriate connector temperature thermostat which was included in color box .
12. When switch off for cleaning the appliance, the surface may hotter than usual and children should be kept away.
13. This appliance is not intended for use by persons (including children) with reduced physical, sensory or mental capabilities, or lack of experience and knowledge, unless they have been given supervision or instruction concerning use of the appliance by a person responsible for their safety.
14. Children should be supervised to ensure that they do not play with the appliance.
15. the appliances are not intended to be operated by means of an external timer or separate remote-control system

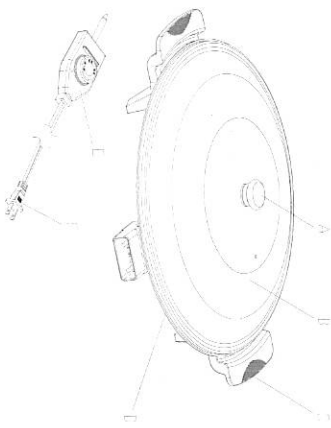
Special Note:

. DO NOT USE SALT

.DUE TO THE RISING HEAT, HUMMING
NOISE MAY NORMALLY OCCUR

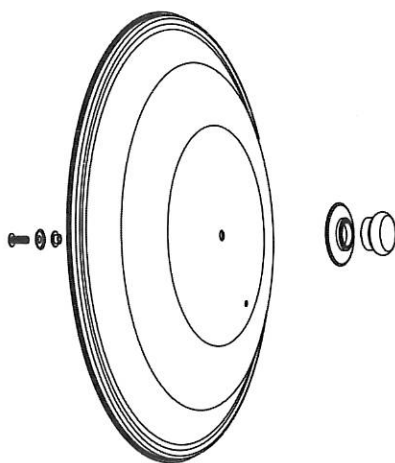
This appliance is intended for household use only. SAVE THESE INSTRUCTIONS

NAMES OF THE PARTS



- A Knob
- B Aluminum -lid
- C Bakelite-handle
- D Baking tray
- E Thermostat with power cable/ Temperature regulator
- F Plug

How to install Knob



KNOB ASSEMBLY

1. Position the knob over the hole of the lid.
2. Push the screw through the hole on the bottom side of the lid.
3. Screw tightly into the knob.
4. Periodically tighten screw if needed.

This appliance is for HOUSEHOLD USE ONLY. It may be plugged into any 120 volt AC electrical outlet (ordinary household current). Do not use any other type of outlet.

Note: Actual color may be different from cover photo.

SHORT CORD INSTRUCTIONS

1. A short detachable power-supply cord is provided to reduce risks resulting from becoming entangled in or tripping over a longer cord.
2. Longer detachable power-supply cords or extension cords are available and may be used if care is exercised in their use.
3. If a longer detachable power-supply cord or extension cord is used:
 - a. The marked electrical rating of the extension cord should be at least as great as the electrical rating of the appliance.
 - b. The longer cord should be arranged so that it will not drape over the counter top or tabletop where it can be pulled on by children or tripped over unintentionally; the extension cord should be a grounding-type3-wire cord

HOW TO CLEAN AFTER USE

1. Disconnect the plug from wall outlet, and then remove the power cord from the appliance.
2. Allow the unit to completely cool.
3. Wash the cooking pan, base, and lid with warm soapy water using a sponge or dishcloth.
4. Rinse thoroughly to remove soap residue.

- Never immerse the power cord, plug or temperature selector in water or other liquid.
- Do not use abrasive cleaners or scouring pads.

USER MAINTENANCE INSTRUCTIONS

This appliance requires little maintenance. It contains no user serviceable parts. Do not try to repair it yourself. Refer it to qualified personnel if servicing is needed.

NOTE: NEVER IMMERSE UNIT IN WATER OR ANY OTHER LIQUID. NEVER USE STEEL WOOL OR ABRASIVE CLEANERS, AS THEY MAY SCRATCH THE SURFACES OR DAMAGE THE UNIT.

TO CLEAN: A mild dish washing soap may be used for cleaning. The non-stick surface can be wiped with a soft, slightly damp cloth or sponge.

TO STORE: Unplug the unit and allow it to cool thoroughly before storing. Store unit in its box or in a clean, dry place. Never wrap the cord tightly around the appliance. Do not put stress on the cord where it enters the unit, as it could cause the cord to fray and break.

ONE YEAR LIMITED WARRANTY

This product carries a warranty that it will be free from defects in material and workmanship for period of one year from the date of purchase.

IMPORTANT:

This warranty does not cover damage resulting from accidental misuse or abuse, lack of reasonable care, the affixing of any attachment not provided with the products, loss of parts, or subjecting the appliance to any but the specified voltage.

Read directions carefully. If a malfunction occurs, do not use the unit.

TO RETURN THE PRODUCTS OR ANY QUESTION PLEASE CALL (206)849-5047 OR E-MAIL AT NIATPRO@MSN.COM

NIAT PRODUCTS

P.O.BOX 33193

Seattle, WA 98133

Tel/Fax(206)542-4745

Cell (206)849-5047