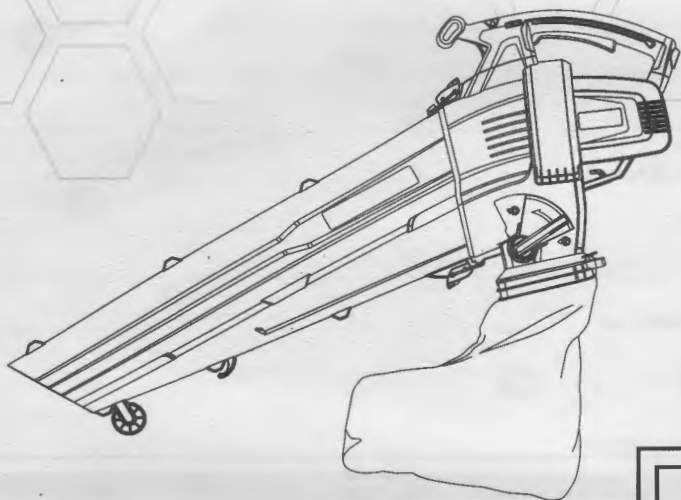


KOBALT™



218549

ITEM #0836566

12A ELECTRIC BLOWER VAC

MODEL #2401303

Français p. 17

ATTACH YOUR RECEIPT HERE

Serial Number _____ Purchase Date _____



Questions, problems, missing parts? Before returning to your retailer, call our customer service department at 1-866-456-8934, 9 a.m. - 8 p.m., EST, Monday - Thursday, 9 a.m. - 5 p.m., EST, Friday - Saturday.

AB17255

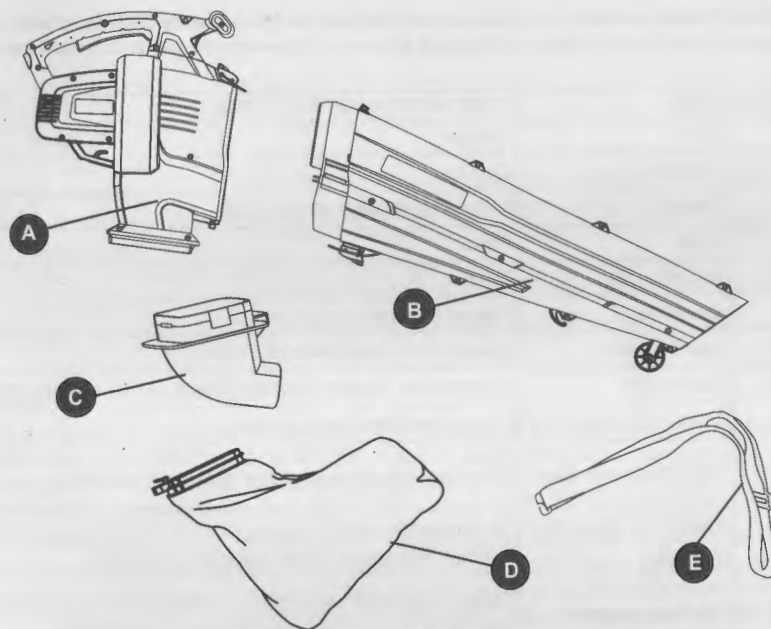
TABLE OF CONTENTS

Product Specifications.....	2
Package Contents.....	3
Symbols.....	
Safety Information	
Preparation.....	8
Assembly Instructions	8
Operating Instructions	11
Care and Maintenance.....	14
Troubleshooting.....	15
Warranty.....	15
Replacement Parts List.....	16

PRODUCT SPECIFICATIONS

SPECIFICATIONS	
Motor	120 V AC, 60 Hz, 12 A
Air Volume	480 CFM
Air Speed	180 MPH
Mulching Ratio	12:1
Collection Bag Capacity	1.25 BUSHEL (42.2 L)
Weight	9.26 LBS (4.2kg)





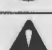





PACKAGE CONTENTS



PART	DESCRIPTION	QUANTITY
A	Electric blower	1
B	Blower/mulcher tube	1
C	Debris outlet tube	1
D	Bag	1
E	Shoulder strap	1



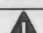
SYMBOLS

Some of the following symbols may be used on this product. Please study them and learn their meaning. Proper interpretation of these symbols will allow you to operate the product better and safer.


SYMBOLS	NAME	DESIGNATION/EXPLANATION
V	Volts	Voltage
A	Amperes	Current
Hz	Hertz	Frequency (cycles per second)
W	Watts	Power
min	Minutes	Time
~	Alternating Current	Type of current
=	Direct Current	Type or a characteristic of current
/min	Per Minute	Revolutions, strokes, surface speed, orbits etc., per minute
	Class II Construction	Double-insulated construction.
	Wet Conditions Alert	Do not expose to rain or use in damp locations
	Read The Operator's Manual	To reduce the risk of injury user must read and understand operator's manual before using this product.
	Eye Protection	Always wear eye protection with side shields marked to comply with ANSI Z87.1 when operating this equipment.
	Safety Alert	Precautions that involve your safety.
	Long Hair	Failure to keep long hair away from the air inlet could result in personal injury.
	Loose Clothing	Failure to keep loose clothing from being drawn into air intake could result in personal injury.
	Keep Bystanders Away	Keep all bystanders at least 50 ft. away.
	Blower Tubes	Do not operate without tubes in place.
	Impeller Blades	Rotating impeller blades can cause severe injury.

SYMBOLS

The following signal words and meanings are intended to explain the levels of risk associated with this product.

SYMBOL	SIGNAL	MEANING
	DANGER	Indicates an imminently hazardous situation, which, if not avoided, will result in death or serious injury.
	WARNING	Indicates a potentially hazardous situation, which, if not avoided, could result in death or serious injury.
	CAUTION	Indicates a potentially hazardous situation, which, if not avoided, may result in minor or moderate injury.
	CAUTION	(Without Safety Alert Symbol) Indicates a situation that may result in property damage.

WARNING

- To avoid serious personal injury, do not attempt to use this product until you have read this Owner's Manual thoroughly and understand it completely. If you do not understand the warnings and instructions in this Owner's Manual, do not use this product. Call 1-866-456-8934 for assistance.
-  The operation of any power tool can result in foreign objects being thrown into your eyes, which can result in severe eye damage. Before operating a power tool, always wear safety goggles, safety glasses with side shields, or a full face shield when needed. We recommend a Wide Vision Safety Mask for use over eyeglasses or standard safety glasses with side shields. Always use eye protection that is marked to comply with ANSI Z87.1.

SAFETY INFORMATION

WARNING

Read and understand all instructions before using this product. Failure to follow all instructions listed below may result in electric shock, fire, and/or serious personal injury.

BEFORE USING

- Use extra care when cleaning on stairs.
- Do not allow to be used as a toy. Close attention is necessary when used by or near children.
- Use only as described in this manual. Use only manufacturer's recommended attachments.
- Keep hair, loose clothing, fingers and all body parts away from openings and moving parts.
- Do not use with a damaged plug. If the tool is not working as it should, or if it has been dropped, damaged, left outdoors, or dropped into water, return it to an authorized service center.
- When using in direct sunshine, keep out of water.
- Store indoors. Do not expose to rain or water. Avoid direct sunshine.
- Save these instructions. Refer to them frequently, and use them to instruct others who may use this power tool. If you lend someone this power tool, lend them these instructions also.

SAFETY INFORMATION

WHEN USING (THIS APPLIANCE)

- Do not operate power tools in an explosive atmosphere, such as in the presence of flammable liquids, gases, or dust. Power tools create sparks that may ignite the dust or fumes.
- To reduce the risk of electric shock, this tool has a polarized plug (one blade is wider than the other) and will require the use of a polarized extension cord. The plug will only fit into a polarized extension cord one way. If the plug does not fit fully into the extension cord, reverse the plug. If the plug still does not fit, obtain a polarized extension cord. A polarized extension cord will require the use of a polarized wall outlet. This plug will only fit into the polarized wall outlet one way. If the plug does not fit fully into the wall outlet, reverse the plug. If the plug still does not fit, contact a qualified electrician to install the proper wall outlet. Do not change the equipment plug, extension cord receptacle, or extension cord plug in any way.
- Avoid bodily contact with grounded surfaces such as pipes, radiators, ranges, and refrigerators. There is an increased risk of electric shock if your body is grounded.
- Don't expose power tools to rain or wet conditions. Water entering a power tool will increase the risk of electric shock.
- Use outdoor extension cords marked W-A, W, SW-A, SOW-A, STW-A, STOW-A, SJW-A, SJTW-A, or SJTOW-A. These cords are rated for outdoor use, and reduce the risk of electric shock.
- Never allow children to operate the equipment. Never allow adults to operate the equipment without proper instruction.
- Wear eye protection that is marked to comply with ANSI Z87.1 when operating this product.
- Turn off all controls before unplugging.
- Avoid accidental start-ups. Be sure the power switch is not on before plugging in. Turn off power switch before unplugging.
- Wear heavy long pants, boots, and gloves. Avoid loose garments or jewelry that could get caught in moving parts of the machine or its motor.
- Do not force the tool. Use the correct tool for your application. The correct tool will work more efficiently and safely when it is used at the rate that it was designed to work at.
- Do not operate the equipment while barefoot or when wearing sandals or similar lightweight footwear.
- Wear protective footwear that will protect your feet and improve your footing on slippery surfaces.
- Secure long hair so it is above shoulder level to prevent entanglement in any moving parts.
- Keep firm footing and balance. Do not overreach. Overreaching can result in loss of balance.
- Do not use the tool if the switch does not turn it on or off. Any tool that cannot be controlled with the switch is dangerous, and must be repaired.
- Do not leave the tool unattended when plugged in. Unplug from the power outlet when not in use, before servicing and before storing the tool. Such preventative safety measures reduce the risk of starting the tool accidentally.
- Keep all bystanders, children, and pets at least 50 ft. (15 m) away.
- For household use only.
- Do not operate this unit when you are tired, ill, or under the influence of alcohol, drugs, or medication.
- Do not operate in poor lighting.
- Keep all parts of your body away from any moving parts and all hot surfaces of the unit.
- Do not put any object into openings. Do not use with any opening blocked. Keep openings free of dust, lint, hair, and anything that may reduce air flow.
- Check the work area before each use. Remove all objects that can be thrown or become entangled in the machine, such as rocks, broken glass, nails, wire, or string.
- Do not handle plug or appliance with wet hands.
- Use only identical manufacturer's replacement parts and accessories. Use of any other parts may create a hazard or cause product damage.

SAFETY INFORMATION

- In a double insulated appliance, two systems of insulation are provided instead of grounding. No method of grounding is provided on a double insulated appliance, nor should a means for grounding be added to the appliance. Servicing a double insulated appliance requires extreme care and knowledge of the system, and should only be done by qualified service person. Replacement parts for a double insulated appliance must be identical to the parts they replace.
- Not intended for commercial use. Use the tool for its intended purpose only.
- Do not use to pick up flammable or combustible liquids, such as gasoline, or use in areas where they may be present.
- Be sure to secure the unit while transporting.

SPECIFIC SAFETY RULES

- Make sure your extension cord is in good condition. When using an extension cord, be sure to use one heavy enough to carry the current your product will draw. A wire gauge size (AWG) of at least 14 is recommended for an extension cord 50' (15 m) or less in length. If in doubt, use the next heavier gauge. The smaller the gauge number, the heavier the cord. An undersized cord will cause a drop in line voltage, resulting in loss of power and overheating.
- Do not point the blower nozzle in the direction of people or pets.
- Never run the unit without the proper equipment attached. Always ensure the blower/mulching tubes are installed.
- When not in use, blower should be locked up indoors in a dry place—out of the reach of children.
- Maintain tool with care. Keep fan area clean for best and safest performance. Follow instructions for proper maintenance.
- Do not attempt to clear clogs from tool without first unplugging it.
- Do not pull or carry by cord, use cord as a handle, close a door on a cord, or pull cord around sharp edges or corners. Do not run appliance over cord. Keep cord away from heated surfaces.
- Do not unplug by pulling on cord. To unplug, grasp the plug, not the cord.
- Never douse or squirt the unit with water or any other liquid. Keep handles dry, clean and free of debris. Clean after each use. See the Cleaning and Storage instructions.

WHILE OPERATING UNIT AS A BLOWER

- Never point the blower in the direction of people or pets, or in the direction of windows. Use extra caution when blowing debris near solid objects such as trees, automobiles and walls.

WHILE OPERATING UNIT AS A VAC

- Avoid situations that could light the bag on fire. Do not operate near an open flame. Do not mulch warm ash from fireplaces, barbecue pits, brush piles, etc. Do not mulch discarded cigars or cigarettes unless the cinders are completely cool.
- The unit is designed to pick up dry material such as leaves, grass, small twigs and bits of paper. Do not attempt to mulch wet debris and/or standing water, because this may result in damage to the blower/vac. To avoid severe damage to the impeller, do not mulch metal, rocks or broken glass.

CHILD SAFETY

Tragic accidents can occur if the operator is not aware of the presence of children.

- Keep children out of the working area and under the watchful care of a responsible adult.
- Do not allow children under the age of 14 to operate this blower. Children who are 14 years of age and older must read and understand the operating instructions and safety rules in this manual and must be

SAFETY INFORMATION

trained and supervised by a parent.

- Stay alert and turn the blower off if a child or any other person enters the working area.
- Use extreme care when approaching blind corners, doorways, shrubs, trees, or other objects that may obscure your view of a child who may run into the path of the blower.

WARNING (PROPOSITION 65)

Some dust created by power sanding, sawing, grinding, drilling, and other construction activities contains chemicals known to cause cancer, birth defects or other reproductive harm. Some examples of these chemicals are:

- Lead from lead-based paints
- Crystalline silica from bricks and cement and other masonry products, and
- Arsenic and chromium from chemically treated lumber.

Your risk of exposure to these chemicals varies depending on how often you do this type of work. To reduce your exposure to these chemicals, work in a well-ventilated area, and work with approved safety equipment, such as dust masks that are specially designed to filter out microscopic particles.

PREPARATION

Before beginning assembly of product, make sure all parts are present. Compare parts with package contents list and hardware contents list. If any part is missing or damaged, do not attempt to assemble the product.

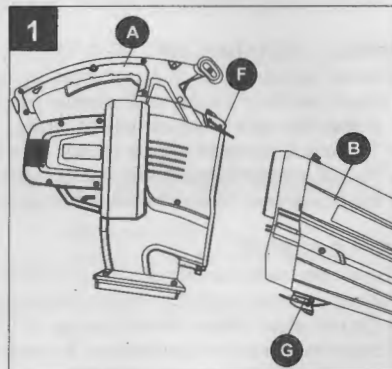
ASSEMBLY INSTRUCTIONS

WARNING

To prevent accidental starting that could cause serious personal injury, always unplug the machine when assembling parts.

ATTACHING AND REMOVING THE VAC TUBE

1. Slide the blower/mulching tube (B) into the motor housing (A). Ensure that the upper tube latch (F) and the lower tube latch (G) are closed and securely hold the tube and motor housing together.

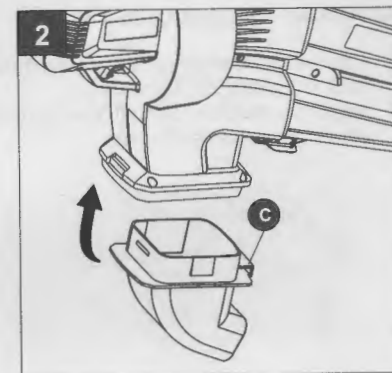


ASSEMBLY INSTRUCTIONS

ATTACHING THE DEBRIS OUTLET TUBE

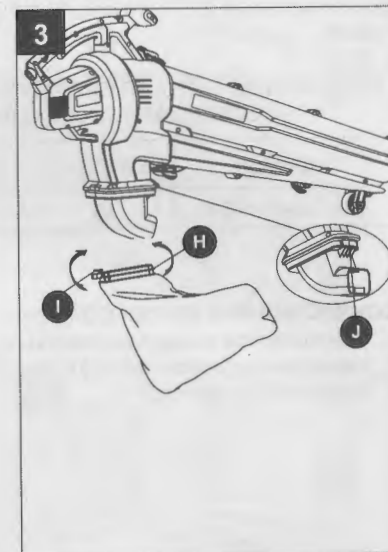
1. Insert the debris outlet tube (C) into motor housing (A). This may take some force to fully secure in place. The debris outlet tube (C) is attached with one-time snap fit.

NOTE: Do not operate the machine without having attached the debris outlet tube to the unit.



ATTACHING AND REMOVING THE COLLECTION BAG

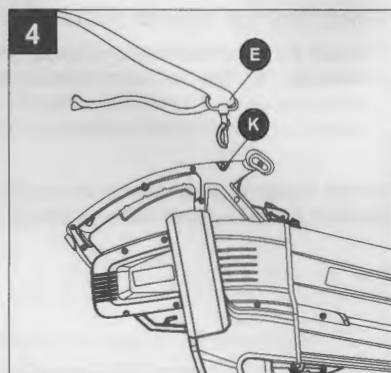
1. Align the front part of the plastic bracket (H) on the collection bag with the discharge outlet of the blower vac (on the tube side).
2. Align and push the bag connector (I) on the rear side into the discharge outlet of the blower vac until it clicks into place.
3. Clip in the front bag hook (J).
4. To remove the collection bag, push the bag connector handle down and pull the collection bag away from the product.



ASSEMBLY INSTRUCTIONS

ATTACHING THE SHOULDER STRAP

1. Clip the shoulder strap (E) into the shoulder strap hook (K) on the motor housing.
2. Adjust the shoulder strap (E) so that it is in a comfortable position for you.



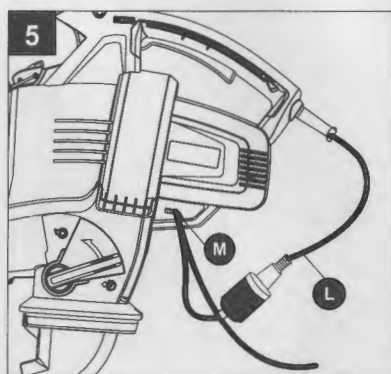
POWER CORD

Use a minimum 25 ft (7.6 m) long, 16 AWG outdoor electrical cord when using this unit. Other sizes include:

MINIMUM WIRE SIZE FOR EXTENSION CORDS FOR 120 APPLIANCES USING 0-12			
Cord length	25 ft (7.6 m)	50 ft (15 m)	100 ft (30 m)
Wire size (AWG)*	16	14	12

CONNECTING THE POWER CORD

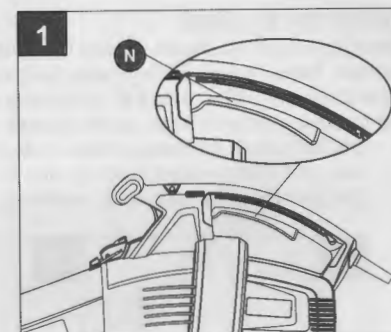
1. When using the blower vac, make sure that you secure your extension cord (L) in the cord retainer (M) as shown.



OPERATING INSTRUCTIONS

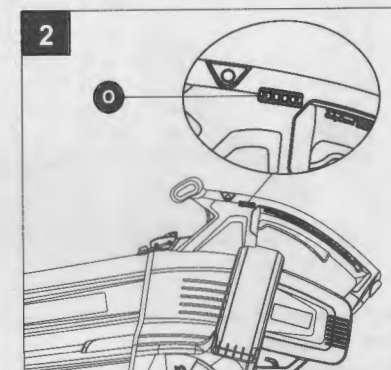
STARTING/STOPPING THE BLOWER

- Ensure that the machine is plugged in.
- Squeeze the trigger (N) to start the blower.
- Release the trigger (N) to stop.



VARIABLE SPEED CONTROL

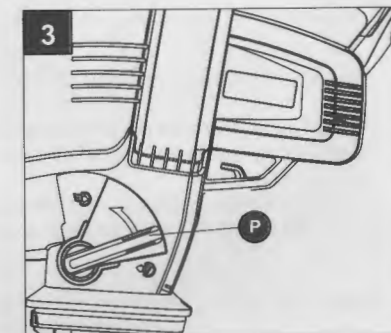
- You can adjust the suction/blow speed of the unit by turning the variable speed control (O) forward (increase speed) or backward (reduce speed).



CONVERTING TO A BLOWER/ A VACUUM

- Place the shoulder harness over the head and on the shoulder, and adjust it if necessary.
- Start the Blower/Vac.
 - Set the Blower/Vac mode flip-lever (P) to the up position (Vacuum Mode).
 - Set the Blower/Vac mode flip-lever (P) to the down position (Blower Mode).

NOTE: Do not use the Blower/Vac if the lever is half-way between the modes.

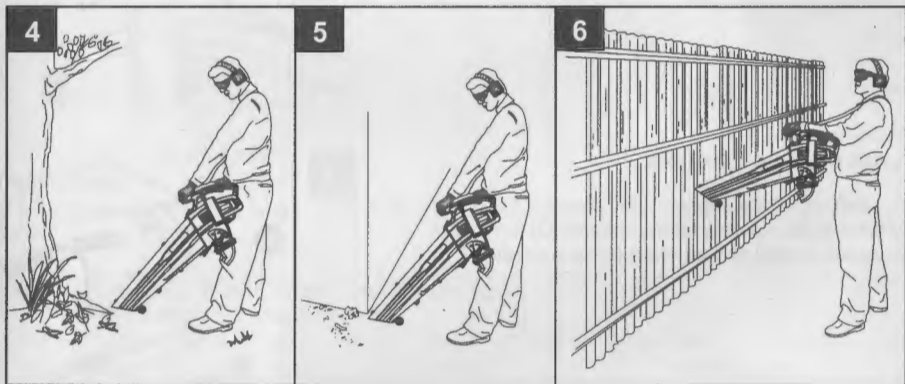


OPERATING INSTRUCTIONS

USING THE BLOWER

Hold the blower as shown. Sweep from side to side, with the nozzle several inches above the ground or floor. Slowly advance the blower, keeping the accumulated pile of debris in front. Most dry blowing operations are better suited to low speeds rather than high speeds. High-speed blowing is better suited to moving heavier items, such as large debris or gravel.

- Use the blower for trees, shrubs, flower beds, and hard-to-clean areas.
- Use the blower around buildings and for other normal cleaning procedures.
- Use the blower around walls, overhangs, fences and screens.



NOTE: Never cover air vents. Keep them free of obstructions and debris. They must always remain clear for proper motor cooling.

OPERATING INSTRUCTIONS

USING AS A VACUUM

Verify the following before beginning:

- The operator is wearing proper clothing, including boots, safety glasses or goggles, ear/hearing protection, gloves, long pants and long sleeves.
- If the conditions are dusty, the operator is wearing a dust mask or face mask.
- The Blower/Vac is in good working condition. The vacuum tubes and vacuum bag are in place and secure.
- The vacuum bag harness is in place and is correctly adjusted.



Use the vacuum for vacuuming up light debris such as leaves and paper.

Hold the vacuum, tilt the suction tube slightly (2-4" (50-100 mm)), and use a sweeping action to collect light debris. The debris will flow into the Blower/Vac bag. Items such as small leaves and small twigs will be mulched as they pass through the fan housing, which allows the snap-on bag to hold more debris. Suction will decrease noticeably when the bag is full. Turn the Blower/Vac off and wait for the impeller to come to a complete stop before unzipping the bag. Unzip the bag and empty the contents before continuing.

NOTE: In order to avoid deterioration and obstruction of the air flow, which will reduce the performance of the vacuum, empty the bag after each use.

OPERATING TIPS

- The bag is installed and zipped closed (when used as a vac).
- Be sure the bag is zipped closed before operating the unit.
- Ensure that the unit is not directed at anybody or any loose debris before starting the unit.
- Verify that the unit is in good working condition. Make sure the tubes and guards are in place and secure.
- Always hold the unit with both hands when operating.
- Keep a firm grip on both the front and rear handle or grips.
- To reduce the risk of hearing loss associated with sound level(s), hearing protection is required.
- Use the shoulder strap when using unit as a vac.
- Operate power equipment only at reasonable hours—not early in the morning or late at night when people might be disturbed. Comply with times listed in local ordinances. Usual recommendations are 9:00 a.m. to 5:00 p.m., Monday through Saturday.
- To reduce noise levels, limit the number of pieces of equipment used at any one time.
- To reduce noise levels, operate power blowers at the lowest possible speed to do the job.
- Use rakes and brooms to loosen debris before blowing.
- In dusty conditions, slightly dampen surfaces.
- Conserve water by using power blowers instead of hoses for many lawn and garden applications, including areas such as gutters, screens, patios, grills, porches, and gardens.
- Watch out for children, pets, open windows or freshly washed cars, and blow debris safely away.
- Clean up after using blowers and other equipment. Dispose of debris appropriately.

CARE AND MAINTENANCE

WARNING

In order to avoid personal injury and the risk of fire and electric shock, unplug the machine before adjusting, inspecting, or cleaning the blower.

SERVICING DOUBLE-INSULATED UNITS

This unit is double insulated. In a double-insulated unit, two systems of insulation are provided instead of grounding. There is no grounding provided, and no means of grounding should be added to this unit. Extreme care and knowledge of the system is required when servicing a double-insulated unit. Service should be performed by qualified service personnel only. Replacement parts for a double-insulated unit must be identical to the parts they replace. Refer any repairs to an authorized service dealer. A double-insulated unit is marked with the words "double insulation" or "double insulated."

CLEANING

Use a small brush to clean off the outside of the unit. Do not use strong detergents, household cleaners that contain aromatic oils, such as pine and lemon, and solvents such as kerosene, because they can damage plastic housings or handles. Wipe off any moisture with a soft, dry cloth..

CLEANING THE BAG

1. Empty the bag after each use to avoid deterioration and obstructing air flow, which will reduce the performance of the vac. For longer bag life and increased performance, empty the bag often.
2. Wearing eye protection and a dust mask, clean the bag as needed. Turn the bag inside-out after initial emptying, and vigorously shake out dust and debris.
3. Wash the bag once per year, or more often if needed:
 - a) Remove the bag.
 - b) Turn bag inside-out.
 - c) Hang it up.
 - d) Hose it down thoroughly.
 - e) Leave it hanging to dry.
 - f) Turn bag right-side out, and reinstall.

CLEARING A BLOCKED TUBE / IMPELLER

1. Release the trigger switch.
2. Unplug the unit.
3. Remove Tube Assembly.
4. Carefully remove material blocking the tube or impeller. Inspect the blades to ensure that no damage has occurred. Reinstall the tube assembly and the bag.
5. Reinstall the blower tube or vac tubes and the bag.
6. Plug the unit back into the power supply.

STORAGE

- Store the unit locked up to prevent unauthorized use or damage.
- Store the unit in a dry, well-ventilated area.
- Store the unit out of the reach of children.

INSPECT EXTENSION CORDS

Inspect all extension cords periodically. Look closely for deterioration, cuts or cracks in the insulation. Inspect the connectors for damage. Replace cords if defective or damaged.

TROUBLESHOOTING

PROBLEM	POSSIBLE CAUSE	CORRECTIVE ACTION
Unit will not blow or vac.	<ol style="list-style-type: none">1. Bag full.2. Blocked tube3. Blocked impeller4. Dirty bag5. Torn bag6. Bag unzipped7. Unit unplugged	<ol style="list-style-type: none">1. Empty the bag2. Clear the blockage3. Clear the blockage4. Clean the bag5. Replace the bag6. Zip up the bag7. Plug into an outlet or an extension cord
Unit will not start.	<ol style="list-style-type: none">1. Unit is unplugged2. Defective power switch3. Vac tubes are not correctly installed4. House circuit may have tripped	<ol style="list-style-type: none">1. Check cord to make sure it is plugged into an electrical outlet.2. Call toll free helpline: 1-866-456-8934.3. Check vac tubes to ensure that they are allowing the switch to be engaged when correctly installed.4. Check wall circuit breaker panel and reset if necessary.

WARRANTY

5-YEAR REPAIR WARRANTY

This Kobalt 12A blower vac is warranted to the original purchaser from the original purchase date for five (5) years subject to the warranty coverage described herein.

This Kobalt 12A blower vac is warranted for the original user to be free from defects in material and workmanship.

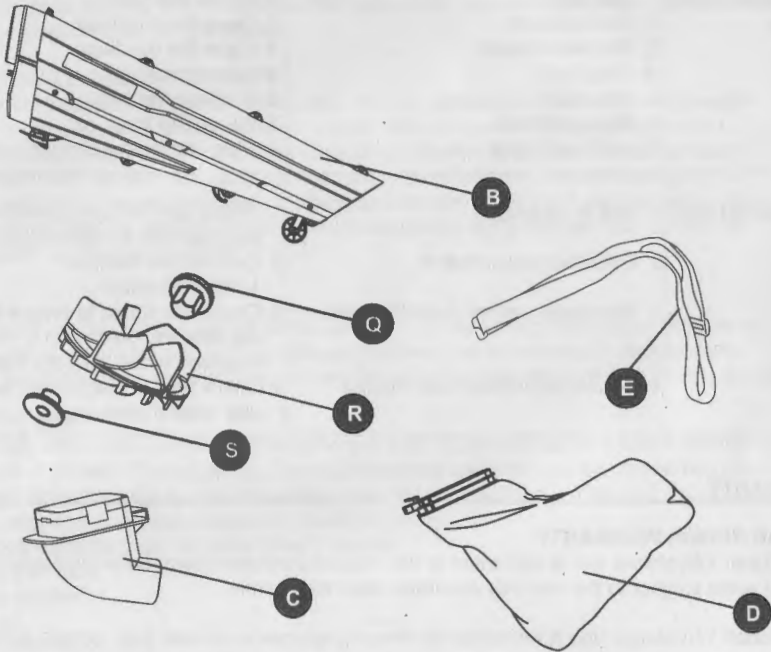
If you believe that the Kobalt 12A blower vac is defective at any time during the specified warranty period, simply call our Warranty service (1-866-456-8934) along with proof of purchase.

This warranty is void if: defects in materials or workmanship or damages result from repairs or alterations which have been made or attempted by others or the unauthorized use of nonconforming parts; the damage is due to normal wear, damage is due to abuse (including overloading of the tool beyond capacity), improper maintenance, neglect or accident; or the damage is due to the use of the tool after partial failure or use with improper accessories or unauthorized repair or alteration.

This warranty gives you specific legal rights, and you may also have other rights that vary from province to province.

REPLACEMENT PARTS LIST

For replacement parts, call our customer service department at 1-866-456-8934, 9 a.m. - 8 p.m. EST, Monday - Thursday, 9 a.m. - 5 p.m., EST, Friday - Saturday.



PART	DESCRIPTION	PART #
B	Blower tube	311012249
C	Debris outlet tube	34124144
D	Bag	311022249
E	Shoulder strap	37902144
Q	Knob	3410127-8
R	Impellor	34117144-1
S	Axial Sleeve	32211144

Printed in China