

**SEARS**

**OWNERS  
MANUAL**

**MODEL NO.  
315.116131**

**CAUTION:**  
Read Rules for  
Safe Operation  
and Instructions  
Carefully

SAVE THIS  
MANUAL FOR  
FUTURE REFERENCE



**CRAFTSMAN**  
**SANDER**  
DUSTLESS  
DUAL MOTION  
DOUBLE INSULATED

Warranty  
Introduction  
Operation  
Maintenance  
Repair Parts



Designed exclusively for and sold only by  
SEARS, ROEBUCK AND CO., Sears Tower, Chicago, IL 60684

612547-713  
7-90

PRINTED IN U.S.A.

#### **FULL ONE YEAR WARRANTY ON CRAFTSMAN SANDER**

If this Craftsman Sander fails to give complete satisfaction within one year from the date of purchase **RETURN IT TO THE NEAREST SEARS SERVICE CENTER/DEPARTMENT THROUGHOUT THE UNITED STATES** and Sears will repair it, free of charge.

If this sander is used for commercial or rental purposes this warranty applies for only 90 days from the date of purchase.

This warranty gives you specific legal rights, and you may also have other rights which vary from state to state.

SEARS, ROEBUCK AND CO.  
DEPT. 731CR-W  
SEARS TOWER  
CHICAGO, IL 60684

## **INTRODUCTION**

**DOUBLE INSULATION** is a concept in safety, in electric power tools, which eliminates the need for the usual three wire grounded power cord and grounded supply system. Wherever there is electric current in the tool there are two complete sets of insulation to protect the user. All exposed metal parts are isolated from the internal metal components with protecting insulation.

**IMPORTANT** — Servicing of a tool with double insulation requires extreme care and knowledge of the system and should be performed only by a qualified service technician. For service we suggest you return the tool to your nearest Sears Store for repair. Always use original factory replacement parts when servicing.

Your sander is suitable for coarse, medium and fine sanding of wood, metals, and plastics. It will produce a fine scratch free finish when used with the grain and is designed for sanding flush to corners. The dual motion feature with which your sander is equipped is ideal for any sanding operation where a pad sander is required. Orbital motion is ideal for fast cutting action when removing old finishes, smoothing rough wood, cutting stock down to required dimensions or for finishing surfaces to be painted. Straight line is best for fine finish sanding on work to be stained or varnished.

### **RULES FOR SAFE OPERATION**

**⚠ WARNING — DO NOT ATTEMPT TO OPERATE THIS TOOL UNTIL YOU HAVE READ THOROUGHLY AND UNDERSTAND COMPLETELY ALL INSTRUCTIONS, SAFETY RULES, ETC. CONTAINED IN THIS MANUAL. FAILURE TO COMPLY CAN RESULT IN ACCIDENTS INVOLVING FIRE, ELECTRIC SHOCK, OR SERIOUS PERSONAL INJURY. SAVE OWNERS MANUAL AND REVIEW FREQUENTLY FOR CONTINUING SAFE OPERATION, AND INSTRUCTING POSSIBLE THIRD-PARTY USER.**

#### **READ ALL INSTRUCTIONS**

1. **KNOW YOUR POWER TOOL** — Read owner's manual carefully. Learn its applications and limitations as well as the specific potential hazards related to this tool.
2. **GUARD AGAINST ELECTRICAL SHOCK BY PREVENTING BODY CONTACT WITH GROUNDED SURFACES.** For example: Pipes, radiators, ranges, refrigerator enclosures.
3. **KEEP GUARDS IN PLACE** and in working order.
4. **KEEP WORK AREA CLEAN.** Cluttered areas and benches invite accidents.
5. **AVOID DANGEROUS ENVIRONMENT.** Don't use power tool in damp or wet locations or expose to rain. Keep work area well lit.
6. **KEEP CHILDREN AWAY.** All visitors should wear safety glasses and be kept a safe distance from work area. Do not let visitors contact tool or extension cord.
7. **STORE IDLE TOOLS.** When not in use, tools should be stored in a dry, high or locked-up place — out of the reach of children.
8. **DON'T FORCE TOOL.** It will do the job better and safer at the rate for which it was designed.
9. **USE RIGHT TOOL.** Don't force small tool or attachment to do the job of a heavy duty tool. Don't use tool for purpose not intended — for example — Don't use a circular saw for cutting tree limbs or logs.
10. **WEAR PROPER APPAREL.** No loose clothing or jewelry to get caught in moving parts. Rubber gloves and non-skid footwear are recommended when working outdoors. Also, wear protective hair covering to contain long hair.



## RULES FOR SAFE OPERATION (Continued)

11. **USE SAFETY GLASSES** with all tools. Also face or dust mask if sanding operation is dusty.
12. **DON'T ABUSE CORD.** Never carry tool by cord or yank it to disconnect from receptacle. Keep cord from heat, oil, and sharp edges.
13. **SECURE WORK.** Use clamps or a vise to hold work. It's safer than using your hand and it frees both hands to operate tool.
14. **DON'T OVERREACH.** Keep proper footing and balance at all times. Do not use on a ladder or unstable support.
15. **MAINTAIN TOOLS WITH CARE.** Keep tools sharp at all times, and clean for best and safest performance. Follow instructions for lubricating and changing accessories.
16. **DISCONNECT TOOLS.** When not in use, before servicing, or when changing attachments, blades, bits, cutters, sandpaper, etc., all tools should be disconnected from power supply.
17. **REMOVE ADJUSTING KEYS AND WRENCHES.** Form habit of checking to see that keys and adjusting wrenches are removed from tool before turning it on.
18. **AVOID ACCIDENTAL STARTING.** Don't carry plugged-in tools with finger on switch. Be sure switch is off when plugging in.
19. **OUTDOOR USE EXTENSION CORDS.** When tool is used outdoors, use only extension cords suitable for use outdoors. Outdoor approved cords are marked with the suffix W-A, for example — SJTW-A or SJOW-A.
20. **NEVER USE THIS OR ANY POWER SANDER FOR WET SANDING.** Failure to comply can result in electrical shock causing serious injury or worse.
21. **KEEP HANDS AWAY FROM SANDING AREA.**
22. **NEVER USE IN AN EXPLOSIVE ATMOSPHERE.** Normal sparking of the motor could ignite fumes.
23. **INSPECT TOOL CORDS PERIODICALLY,** and if damaged, have repaired at your nearest Sears Repair Center. Stay constantly aware of cord location.
24. **INSPECT EXTENSION CORDS PERIODICALLY** and replace if damaged.
25. **KEEP HANDLES DRY, CLEAN, AND FREE FROM OIL AND GREASE.** Always use a clean cloth when cleaning. Never use brake fluid, gasoline, petroleum-based products, or any strong solvents to clean your tool.
26. **STAY ALERT.** Watch what you are doing and use common sense. Do not operate tool when you are tired. Do not rush.
27. **CHECK DAMAGED PARTS.** Before further use of the tool, a guard or other part that is damaged should be carefully checked to determine that it will operate properly and perform its intended function. Check for alignment of moving parts, binding of moving parts, breakage of parts, mounting, and any other conditions that may affect its operation. A guard or other part that is damaged should be properly repaired or replaced by an authorized service center.
28. **DO NOT USE TOOL IF SWITCH DOES NOT TURN IT ON AND OFF.** Have defective switches replaced by an authorized service center.
29. Inspect for and remove all nails from lumber before sanding.
30. **DRUGS, ALCOHOL, MEDICATION.** Do not operate tool while under the influence of drugs, alcohol, or any medication.
31. **WEAR HEARING PROTECTION DURING EXTENDED PERIODS OF OPERATION.**
32. **SAVE THESE INSTRUCTIONS.** Refer to them frequently and use them to instruct third party user. If you loan someone this tool, loan them these instructions also.

### WARNING:



The operation of any Sander can result in foreign objects being thrown into your eyes, which can result in severe eye damage. Before commencing power tool operation, always wear safety goggles or safety glasses with side shields and a full face shield when needed. We recommend Wide Vision Safety Mask for use over spectacles or standard safety glasses with side shields, available at Sears Catalog Order or Retail Stores.



# OPERATION

**▲WARNING: YOUR SANDER SHOULD NEVER BE CONNECTED TO POWER SUPPLY WHEN YOU ARE REPLACING SANDPAPER, ASSEMBLING PARTS, OR MAKING ADJUSTMENTS.**

**▲WARNING: IF ANY PARTS ARE MISSING DO NOT OPERATE YOUR SANDER UNTIL THE MISSING PARTS ARE REPLACED.**

Before attempting to use your Sander, familiarize yourself with all operating features (See Fig. 1) and safety requirements.

**▲WARNING: DO NOT ALLOW FAMILIARITY WITH YOUR SANDER TO MAKE YOU CARELESS. REMEMBER THAT A CARELESS FRACTION OF A SECOND IS SUFFICIENT TO INFLICT INJURY.**

## SWITCH

Your sander is equipped with a switch located on the rear handle of your sander. To turn your sander "on", push the "on" side of the switch. See Figure 1. To turn your sander "off", push the "off" side of the switch.

Make sure power supply is 110-120 Volts, 60 Hz, AC only.

**▲WARNING: BEFORE CONNECTING YOUR SANDER TO POWER SUPPLY SOURCE, ALWAYS PUSH SWITCH TO "OFF" POSITION. FAILURE TO DO SO COULD RESULT IN ACCIDENTAL STARTING RESULTING IN POSSIBLE INJURY.**

## ATTACHING DUST BAG

**DISCONNECT SANDER FROM POWER SUPPLY WHILE ASSEMBLING PARTS OR MAKING ADJUSTMENTS**

1. Place opening in dust bag retainer over dust exhaust hole and secure into position. See Figure 2.
2. Your sander is now ready for operation using the built-in dust collection system. NOTE: For more efficient operation, empty bag when half full. To remove dust bag, simply grasp dust bag retainer and pull away from sander.

## REMOVING DUST SKIRT

**DISCONNECT SANDER FROM POWER SUPPLY WHILE ASSEMBLING PARTS OR MAKING ADJUSTMENTS.**

Your tool comes packed with the dust skirt installed. However, if desired your sander can be operated without the dust skirt.

1. Remove dust bag from sander.
2. Remove dust cap from hole on rear of dust skirt.
3. Carefully spread dust skirt apart and remove from sander.
4. To replace, reverse the above procedure.

**NOTE: BE SURE TO FIT DUST SKIRT IN GROOVE ON MOTOR HOUSING AND REPLACE DUST CAP ON REAR OF DUST SKIRT.**

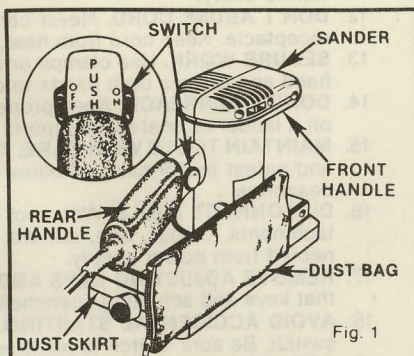


Fig. 1

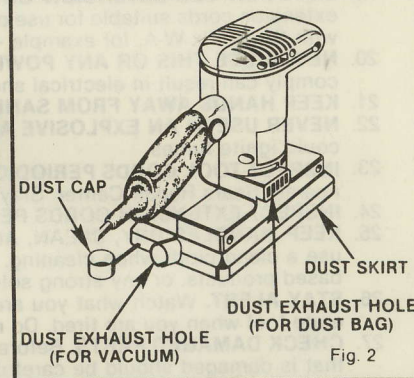


Fig. 2

A dustless Sanding Attachment Kit (Cat. # 9 11766) is available from Sears Catalog Order or Retail Stores.

## ATTACHING TO VACUUM CLEANER

**DISCONNECT SANDER FROM POWER SUPPLY WHILE ASSEMBLING PARTS OR MAKING ADJUSTMENTS**

1. Remove dust cap from hole on rear of dust skirt. See Figure 2.
2. Snugly attach vacuum hose adapters to vacuum hose.
3. Connect the pickup adapter end of your hose to dust exhaust hole, located on rear of dust skirt. See Figure 2.
4. Connect the vac adapter end of the hose to your vacuum cleaner.

## OPERATION (Cont.)

### INSTALLING NON-ADHESIVE SANDPAPER

See Figure 3.

#### DISCONNECT SANDER FROM POWER SUPPLY

1. Remove dust skirt. (See Removing Dust Skirt, Page 4.)
2. Release paper clamp by rotating lever out as shown in figure 3 and lifting up, disengaging it from the platen.
3. Insert end of new 1/3 sheet sandpaper approximately 1/2 inch under the paper clamp.
4. Release lever and rotate into lock position. Apply downward pressure to conform sandpaper to platen.
5. Wrap sandpaper around cushion. Rotate lever on the opposite end of your sander out and lift up; insert loose end of sandpaper under the paper clamp; then release lever and rotate into lock position. **NOTE:** Fit sandpaper against cushion as tight as possible.

### INSTALLING ADHESIVE SANDPAPER

See Figure 3.

#### DISCONNECT SANDER FROM POWER SUPPLY.

1. If replacing sandpaper, remove old sandpaper by peeling it off cushion. If removing regular sandpaper, dust skirt must be removed. Then release paper clamp by rotating lever out and lifting up, disengaging it from the platen. Remove non-adhesive paper, release lever, and rotate it to lock position.
2. Carefully peel adhesive backing from new 1/3 sheet sandpaper.
3. Position sandpaper into place, then carefully press sticky side of sandpaper on cushion.

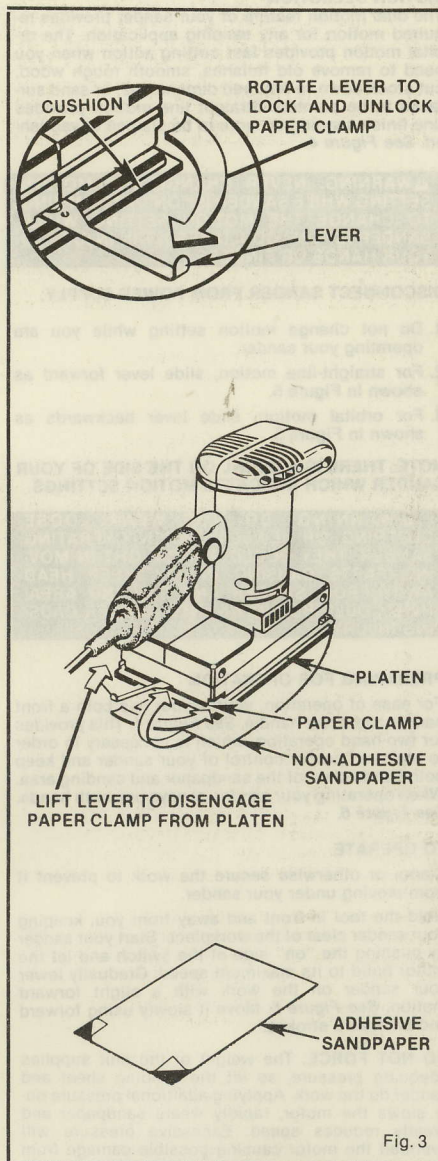
### SANDPAPER SELECTION

Selecting the correct size grit and type sandpaper is an extremely important step in achieving a high quality sanded finish. Aluminum oxide, silicon carbide, and other synthetic abrasives are best for power sanding. Natural abrasives, such as flint and garnet sandpaper are too soft for economical use in power sanding.

In general, coarse grit will remove the most material and finer grit will produce the best finish in all sanding operations. The condition of the surface to be sanded will determine which grit sandpaper will do the job. If the surface is rough, start with a coarse grit paper sanding until surface is uniform. Medium grit paper may then be used to remove scratches left by the coarser paper and finer grit paper used for finishing of the surface. Always continue sanding with each grit paper until surface is uniform.

### LUBRICATION

All the bearings in this tool are lubricated with a sufficient amount of high grade lubricant for the life of the unit under normal operating conditions, therefore, no further lubrication is required.





## OPERATION (Cont.)

### MOTION SELECTION

The dual motion feature of your sander provides required motion for any sanding application. The orbital motion provides fast cutting action when you need to remove old finishes, smooth rough wood, cut stock down to required dimensions, or sand surfaces to be painted. Straight line motion provides fine finish sanding on work to be stained or varnished. See Figure 4.

**⚠ WARNING: NEVER CHANGE THE MOTION SETTING WHILE SANDER IS "ON". ATTEMPTING TO CHANGE THE MOTION SETTING WHILE SANDER IS "ON" COULD RESULT IN INJURY TO YOUR HANDS OR FINGERS.**

### DISCONNECT SANDER FROM POWER SUPPLY.

1. Do not change motion setting while you are operating your sander.
2. For straight-line motion, slide lever forward as shown in Figure 5.
3. For orbital motion, slide lever backwards as shown in Figure 5.

**NOTE: THERE IS A DECAL ON THE SIDE OF YOUR SANDER WHICH INDICATES MOTION SETTINGS.**

**⚠ WARNING: DO NOT WEAR LOOSE CLOTHING OR JEWELRY WHEN OPERATING SANDER. THEY COULD GET CAUGHT IN MOVING PARTS CAUSING INJURY. KEEP HEAD AWAY FROM SANDER AND SANDING AREA. HAIR COULD BE DRAWN INTO SANDER CAUSING INJURY.**

### PREPARING FOR OPERATION

For ease of operation, your sander has both a front handle and a rear handle. See Figure 1. This provides for two-hand operation, which is necessary in order to maintain proper control of your sander and keep both hands clear of the sandpaper and sanding area. When operating your sander, always use both hands. See Figure 6.

### TO OPERATE

Clamp or otherwise secure the work to prevent it from moving under your sander.

Hold the tool in front and away from you, keeping your sander clear of the workpiece. Start your sander by pushing the "on" side of the switch and let the motor build to its maximum speed. Gradually lower your sander on the work with a slight forward motion. See Figure 6. Move it slowly using forward and backward strokes.

**DO NOT FORCE.** The weight of the unit supplies adequate pressure, so let the sanding sheet and sander do the work. Applying additional pressure only slows the motor, rapidly wears sandpaper and greatly reduces speed. Excessive pressure will overload the motor causing possible damage from motor overheating and can result in inferior work. Any finish or resin on wood may soften from the fric-

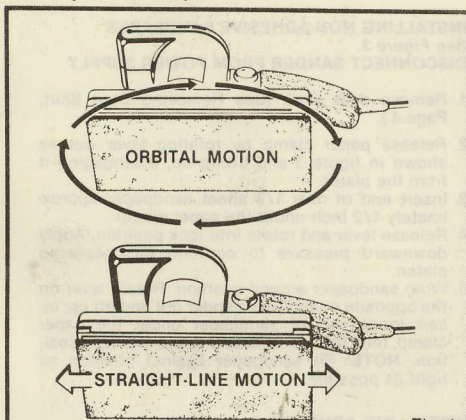


Fig. 4

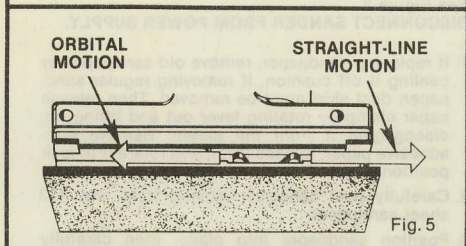


Fig. 5

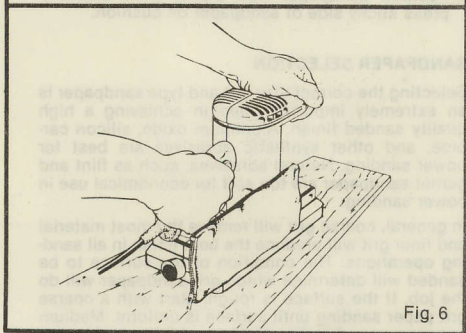


Fig. 6

tional heat. Do not allow sanding on one spot too long as the sander's rapid action may remove too much material making the surface uneven.

Flush sanding can be performed with three of the four sides of your sander. Every side but the rear of the sander can be used when sanding in corners. The dust-skirt may or may not be removed while performing this operation. Always lift your sander from workpiece before turning off.

# MAINTENANCE

**▲WARNING: WHEN SERVICING USE ONLY IDENTICAL CRAFTSMAN REPLACEMENT PARTS. USE OF ANY OTHER PARTS MAY CREATE A HAZARD OR CAUSE PRODUCT DAMAGE.**

## GENERAL

Only the parts shown on parts list, page nine, are intended to be repaired or replaced by the customer. All other parts represent an important part of the double insulation system and should be serviced only by a qualified service technician.

Avoid using solvents when cleaning plastic parts. Most plastic parts are susceptible to various types of commercial solvents and may be damaged by their use. Use clean cloths to remove dirt, carbon dust, etc.

**▲WARNING: DO NOT AT ANY TIME LET BRAKE FLUIDS, GASOLINE, PETROLEUM-BASED PRODUCTS, OIL, ETC. COME IN CONTACT WITH PLASTIC PARTS. THEY CONTAIN CHEMICALS THAT CAN DAMAGE, WEAKEN, OR DESTROY PLASTIC.**

When electric tools are used on fiberglass boats, sports cars, wallboard, spackling compounds, or plaster, it has been found that they are subject to accelerated wear and possible premature failure, as the chips and grindings are highly abrasive to bearings, brushes, commutator, etc. Consequently it is not recommended that this tool be used for extended work on any fiberglass material, wallboard, spackling compounds, or plaster. During any use on these materials, it is extremely important that the tool is cleaned frequently by blowing with an air jet. **ALWAYS WEAR SAFETY GLASSES, DUST MASK, OR EYE SHIELDS BEFORE BEGINNING POWER TOOL OPERATION OR BLOWING DUST.**

THE FOLLOWING RECOMMENDED ACCESSORIES ARE CURRENT AND WERE AVAILABLE AT THE TIME THIS MANUAL WAS PRINTED.

**DUSTLESS SANDING ATTACHMENT**  
Cat. No. 9 11766

**ALUMINUM OXIDE SHEETS WITH PAPER BACKING**  
Cat. No. 9 25311-Fine  
Cat. No. 9 25312-Medium  
Cat. No. 9 25313-Coarse  
Cat. No. 9 25314-X-Coarse

**PRESSURE-SENSITIVE ADHESIVE BACKED SHEETS**  
Cat. No. 9 25365-Fine  
Cat. No. 9 25366-Medium  
Cat. No. 9 25367-Coarse

**CARRYING CASE**  
Cat. No. 9 14704

**NON-LOADING ZINC STEARATE SHEETS**  
Cat. No. 9 25331-Fine  
Cat. No. 9 25332-Medium  
Cat. No. 9 25333-Coarse

**TUNGSTEN CARBIDE SHEETS WITH STEEL BACKING**  
Cat. No. 9 30284-Fine  
Cat. No. 9 30285-Medium  
Cat. No. 9 30286-Coarse

**▲WARNING:** The use of attachments or accessories not listed above might be hazardous.

## EXTENSION CORDS

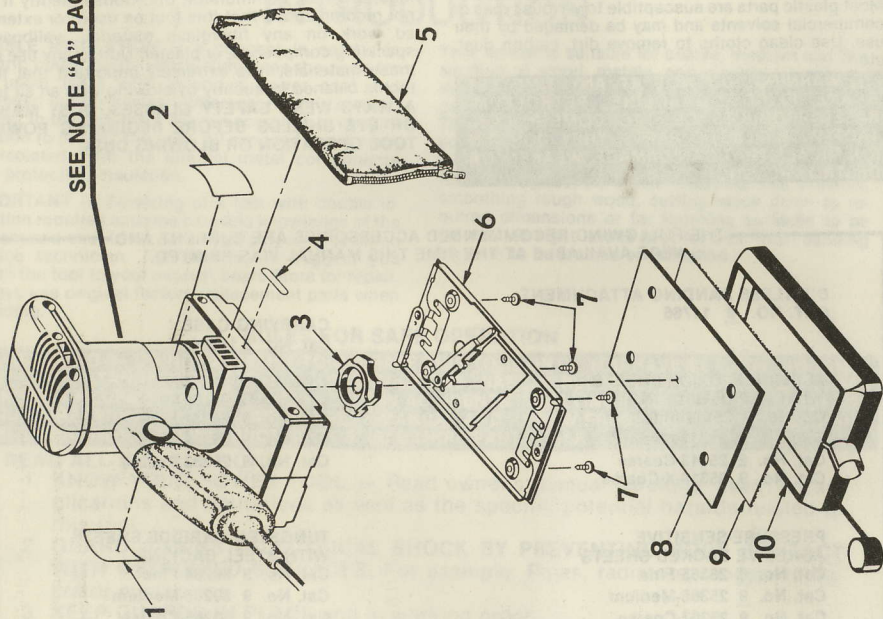
The use of any extension cord will cause some loss of power. To keep the loss to a minimum and to prevent tool overheating, follow the recommended cord sizes on the chart at right. When tool is used outdoors, use only extension cords suitable for outdoor use and so marked. Extension cords are available at Sears Catalog Order or Retail Stores.

Extension Cord Length	Wire Size A.W.G.
25-50 Feet	18
50-75 Feet	16

**▲WARNING: CHECK EXTENSION CORDS BEFORE EACH USE. IF DAMAGED, REPLACE IMMEDIATELY. NEVER USE TOOL WITH A DAMAGED CORD SINCE TOUCHING THE DAMAGED AREA COULD CAUSE ELECTRICAL SHOCK RESULTING IN SERIOUS INJURY.**



SEE NOTE "A" PAGE 9





**CRAFTSMAN SANDER — MODEL NUMBER 315.116131**

The Model Number will be found on a plate attached to the Motor Housing. Always mention the Model Number in all correspondence regarding your SANDER or when ordering repair parts.

SEE BACK PAGE FOR PARTS ORDERING INSTRUCTIONS

**PARTS LIST**

KEY NO.	PART NUMBER	DESCRIPTION	QUAN.
1	999551-001	Logo Plate.....	1
2	969437-001	Data Plate.....	1
3	999160-001	Bearing Block.....	1
4	967302-001	Decal-Motion Select.....	1
5	999225-001	Dust Bag.....	1
6	969340-001	Platen Assembly.....	1
7	999162-001	*Screw (#10-32 x 3/8" Pan Hd.).....	4
8	998912-002	Cushion.....	1
9	***	Sandpaper	
10	999146-001	Dust Skirt.....	1
	612547-713	Owner's Manual	

NOTE: "A" — The assembly shown represents an important part of the Double Insulated System. To avoid the possibility of alteration or damage to the System, service should be performed by your nearest Sears Repair Center. Contact your nearest Sears Catalog Order or Retail Store.

\*Standard Hardware Item — May Be Purchased Locally

\*\*\*Complete Assortment Available At Your Nearest Sears Catalog Order Or Retail Store.







**SEARS**

**OWNERS  
MANUAL**

**SERVICE**

**MODEL NO.  
315.116131**

**HOW TO ORDER  
REPAIR PARTS**

**CRAFTSMAN**

**SANDER  
DUSTLESS  
DUAL MOTION  
DOUBLE INSULATED**

Now that you have purchased your Sander, should a need ever exist for repair parts or service, simply contact any Sears Service Center and most Sears Roebuck and Co. stores. Be sure to provide all pertinent facts when you call or visit.

The model number of your Sander will be found on the plate attached to the housing.

WHEN ORDERING REPAIR PARTS, ALWAYS GIVE THE FOLLOWING INFORMATION:

- |                              |                          |
|------------------------------|--------------------------|
| • PART NUMBER                | • PART DESCRIPTION       |
| • MODEL NUMBER<br>315.116131 | • NAME OF ITEM<br>Sander |

All parts listed may be ordered from any Sears Service Center and most Sears stores.

If the parts you need are not stocked locally, your order will be electronically transmitted to a Sears Repair Parts Distribution Center for handling.

SEARS, ROEBUCK AND CO., Sears Tower, Chicago, IL 60684