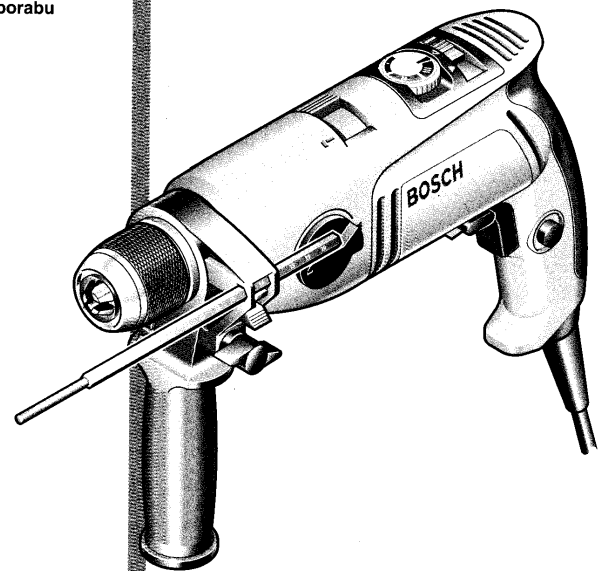


BOSCH

PSB 700-2 RE
PSB 750-2 RE
PSB 750-2 RPE

Bedienungsanleitung
Operating Instructions
Instrukcja obsługi
Návod k obsluze
Návod na používanie
Használati utasítás
Руководство по
эксплуатации
Інструкція з
експлуатації
Instrucțiuni de folosire
Ръководство за
експлоатация
Uputstvo za
opsluživanje
Navodilo za uporabo
Upute za uporabu



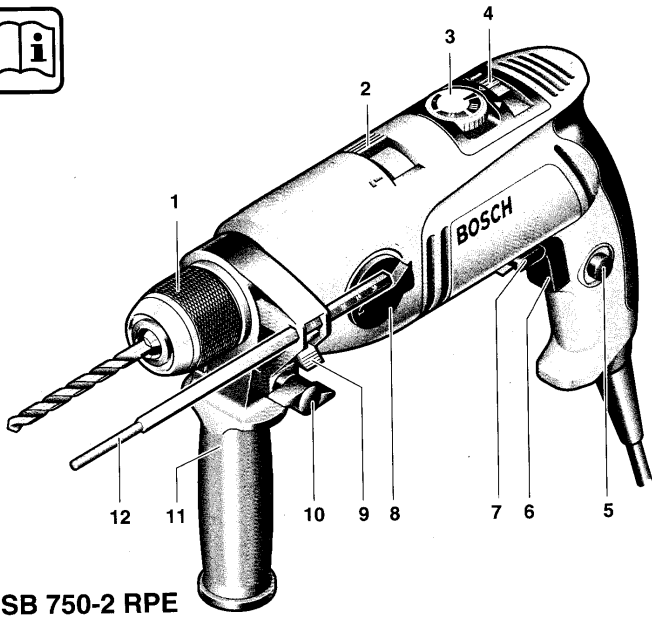
Deutsch
English
Po polsku
Česky
Slovensky
Magyar
Русский
Українська
Română
Български
Srpski
Slovensko
Hrvatski

BOSCH 

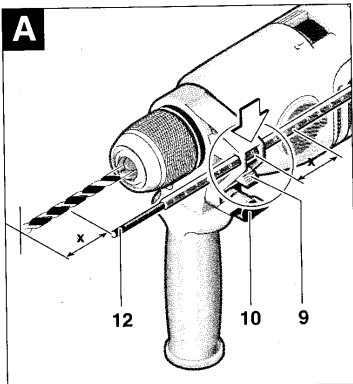
Robert Bosch GmbH
Geschäftsbereich Elektrowerkzeuge
D-70745 Leinfelden-Echterdingen
www.bosch-pt.com

2 609 931 837 O / 72
Printed in Switzerland - Imprimé en Suisse

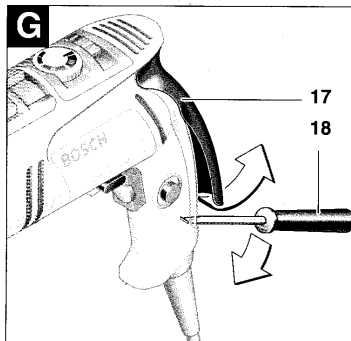
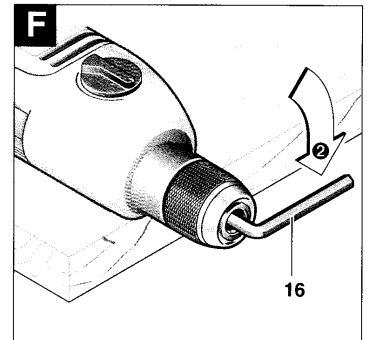
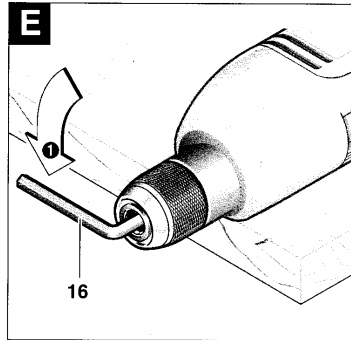
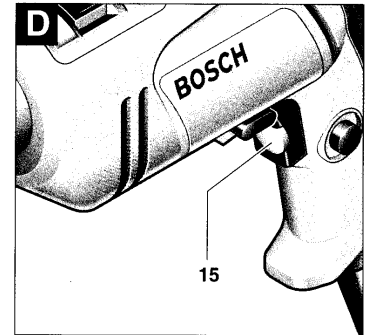
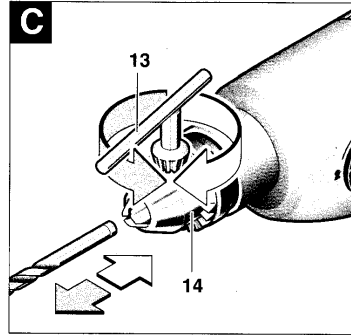
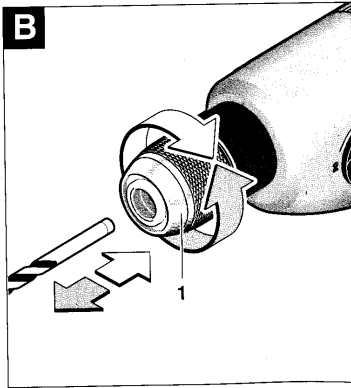




PSB 750-2 RPE



2 • 2 609 931 837 • 02.01



3 • 2 609 931 837 • 02.01

Tool Specifications

Impact Drill	PSB ...	700-2 RE	750-2 RE	750-2 RE	750-2 RPE
Order number		0 603 162 9..	0 603 162 5..	0 603 162 6..	0 603 162 8..
Rated power	[W]	701	750	750	750
Output power	[W]	350	380	380	380
No-load speed					
1st gear	[rpm]	0-1000	0-1000	0-1000	0-1000
2nd gear	[rpm]	0-3000	0-3000	0-3000	0-3000
Impact rate max.	[bpm]	48 000	48 000	48 000	48 000
Speed preselection		•	•	•	—
Power Control		—	—	—	•
Spindle lock (AutoLock)		•	•	•	•
Two-step switch		•	•	•	•
Key chuck		—	•	—	—
Keyless Chuck		•	—	•	•
Vibration Damping		—	•	•	•
Chuck clamping range max.	[mm]	13	13	13	13
Drill dia. steel max.	[mm]	13	13	13	13
Drill dia. wood max.	[mm]	40	40	40	40
Drill dia. concrete max. max.	[mm]	20	20	20	20
Weight approx.	[kg]	2.2	2.2	2.2	2.2
Protection class		□ / II	□ / II	□ / II	□ / II

Machine Elements

- 1 Keyless chuck
- 2 "Drilling/Impact Drilling" selector switch
- 3 Power control adjustment knob (PSB 750-2 RPE)
- 4 Selector switch "Drilling/Driving" (PSB 750-2 RPE)
- 5 Lock-on button for On / Off switch
- 6 On/Off switch
- 7 Rotational direction switch
- 8 Gear selector
- 9 Button for depth stop adjustment
- 10 Winged screw for auxiliary handle adjustment
- 11 Auxiliary handle
- 12 Depth stop
- 13 Chuck key
- 14 Key chuck
- 15 Thumbwheel for speed preselection
- 16 Allen key*
- 17 Vibration damper
- 18 Screwdriver

*Accessory

*Not all of the accessories illustrated or described are included as standard delivery.

Intended Use

The machine is intended for impact drilling in brick, concrete and stone as well as for drilling in wood, metal, ceramics and plastics. Machines with electronic control and right/left rotation are also suitable for screwdriving and thread-cutting.

Noise / Vibration Information

Measured values determined according to EN 50 144.

Typically the A-weighted noise levels of the product are: sound pressure level: 97 dB (A); sound power level: 110 dB (A).

Wear hearing protection!

The typical weighted acceleration is 13 m/s².



For Your Safety

Working safely with this machine is possible only when the operating and safety information are read completely and the instructions contained therein are strictly followed. In addition, the general safety notes in the enclosed booklet must be observed.

- Wear protective glasses and hearing protection.
- For long hair, wear hair protection. Work only with closely fitting clothes.
- If the mains cable is damaged or cut through while working, do not touch the cable but immediately pull the mains plug. Never use the machine with a damaged cable.
- Connect machines that are used in the open via a residual current device (RCD) with an actuating current of 30 mA maximum. Use only extension cables that are approved for outdoor use.
- Insert the mains plug only when the machine is switched off.
- Always direct the cable to the rear away from the machine.
- When drilling use the auxiliary handle 11.
- **Hold the power tool only by the insulated gripping surfaces, when performing an operation where the cutting tool may run into hidden wiring or its own cord.** Contact with a "live" wire will make exposed metal parts of the tool "live" and shock the operator.
- **Do not drill, cut or saw into blind areas where electric, gas or water lines may exist. Use suitable detectors to determine if these lines are hidden in the work area or call the local utility company for assistance.** Contact with electric lines may cause fire or electric shock. Damaging a gas line can result in an explosion. Penetrating a water pipe will cause property damage or may cause an electric shock.
- If the drilling tool jams, it will cause the power tool to jolt. If this occurs switch the tool off immediately.
- When working with the machine, always hold it firmly with both hands and provide for a secure stance.
- Be careful when screwing in long screws; danger of sliding off.

- When screwdriving, operate in first gear as well as with a low speed.
- Set the machine against the screw/nut only when switched off.
- Always switch off the machine and allow to come to a stop before placing it down.
- Never allow children to use the machine.
- Bosch is only able to ensure perfect operation of the machine if the original accessories intended for it are used.

Auxiliary Handle/Depth Stop (see figure A)

The auxiliary handle can be mounted on the left or right side of the spindle collar, using the winged screw 10.

The drilling depth can be set with the depth stop 12. For this, press button 9 and pull the depth stop out parallel until it protrudes as far as the drill tip. Adjust the read scale value minus the required drilling depth X on the scale.

Inserting the Tool

Open the drill chuck until the tool can be inserted. Insert the tool.

Keyless Chuck (see figure B)

Firmly tighten the sleeve of the keyless chuck 1 by hand until the locking action ("click") is no longer heard. This automatically locks the chuck.

The locking is released again when the front collar is turned in the opposite direction to remove the tool.

Caution! The chuck may be very hot:

During longer working periods, especially when impact drilling, the chuck can become very hot. In this case we recommend wearing protective gloves.

Key chuck (see figure C)

Clamp evenly in all three holes with the chuck key 13.

Initial Operation

Observe correct mains voltage: The voltage of the power source must agree with the voltage specified on the nameplate of the machine. Equipment marked with 230 V can also be connected to 220 V.

Switching On and Off

To start the machine press the On/Off switch 6.



The machine runs with variable speed between 0 and maximum, depending on the pressure applied to the On/Off switch 6. Light pressure results in a low rotational speed thus allowing smooth, controlled starts. Do not strain the machine so heavily that it comes to a standstill.

Lock the pushed On/Off switch 6 by pressing the lock-on button 5.

To switch off the machine, release the On/Off switch 6 or push and release it then.

Speed Preselection (see figure D) (PSB 700-2 RE/750-2 RE)

The required speed can be preselected with thumbwheel 15 (also while running).

Gear Selection, Mechanical

Two speed ranges can be preselected with the On/Off switch 6. The machine switches from the first to the second speed step after a noticeable pressure point has been exceeded:

Speed I: Lower rpm range

Speed II: Higher rpm range

The On/Off switch can be locked in either of the speed steps with the lock-on button 5.

Fully Automatic Spindle Locking

The fully automatic spindle locking feature allows for quick, convenient and easy tool changing in the drill chuck.

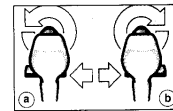
When the On/Off switch is not pressed or released, the drill spindle is locked so that protruding screws can also be screwed in flush when turning the machine by hand.

Note: Tightening by hand with too much force can damage the screw.

Reversing the Rotational Directions

Operate the rotational direction switch 7 only at a standstill.

The rotational direction switch 7 is used to reverse the rotational direction of the machine. However, this is not possible with the On/Off switch 6 actuated.



For drilling and driving in screws, set the rotational direction CLOCKWISE (B).

To drive out screws, switch to the rotational direction ANTICLOCKWISE (A).

Drilling, Screwdriving and Impact Drilling

The selector switch 2 engages noticeably and can be actuated with the machine running.

Drilling and Screwdriving
Push selector switch 2 to the right.

Impact Drilling
Push selector switch 2 to the left.

Electronic Torque Limitation/Speed Preselection (Power Control - PSB 750-2 RPE)

Set the selector switch 2 to the "drilling and screwdriving" symbol.

Drilling with speed preselection

Set the selector switch 4 to the "drilling" symbol. The required speed can be pre-selected with the thumbwheel 3 (also during running).



Screwdriving with torque limitation

Set the selector switch 4 to the "screwdriving" symbol. The effective torque at the drill spindle can be variably adjusted (0.5-5.5 Nm) with the thumbwheel 3:

I = low torque

III = high torque (e.g. screw 6 x 40)

The maximum speed is automatically adapted to the adjusted torque.

If the pre-selected torque is reached during screwdriving, the machine switches off and stops. If the load on the machine is then removed with the On/Off switch 6 still pressed, the continued run is at very low speed for safety reasons.

Briefly releasing the On/Off switch 6 automatically restores the previous operating condition, so that the next screw will be driven in with the same torque.

Screwdriving without torque limitation



When the dial control 3 is turned all the way to the right, the torque limitation is not effective. This setting is required, e. g. when the power in position III is not sufficient (max. torque 7.5 Nm).

Caution: The machine does not switch off.

Replacing the Drill Chuck

The chuck may be changed only in the first gear.

Clamp the short end of an Allen key in the chuck.

Loosening the Drill Chuck (see figure E)

Place the machine on a stable surface (e. g. workbench). Hold the machine firmly and loosen the chuck by turning to the left, as when unscrewing a screw (⊖). Loosen a tight chuck by giving the long end of the Allen key 16 a sharp blow.

Tightening the Drill Chuck (see figure F)

The drill chuck is mounted in reverse order (⊕).

The chuck must be tightened with a torque of approx. 30–35 Nm.

Vibration Damping (see figure G)

The vibration damper 17 reduces occurring vibrations.

For changing, insert the screwdriver 18 into the special groove designed for this purpose on the lower part of the gripping surface. Carefully lever off.

Tips

Speed as well as torque setting depend on the material and can be determined by practical testing. Always start with the lowest setting.

After longer periods of working at low speed, allow the machine to cool down by running for approx. 3 minutes at maximum speed with no load.

For drilling in tiles, set the selector switch 2 to the symbol "Drilling and Screwdriving". Do not switch over to the symbol "Impact Drilling" or work with impact until after drilling through the tile.

Carbide tipped drill bits are required for jobs when working in concrete, masonry and brick wall.

Maintenance and Cleaning

■ Before any work on the machine itself, pull the mains plug.

■ For safe and proper working, always keep the machine and the ventilation slots clean.

If the machine should fail despite the care taken in manufacturing and testing procedures, repair should be carried out by an after-sales service centre for Bosch power tools.

In all correspondence and spare parts orders, please always include the 10-digit order number given on the nameplate of the machine.

Environmental Protection



Recycle raw materials instead of disposing as waste.

The machine, accessories and packaging should be sorted for environmental-friendly recycling.

These instructions are printed on recycled paper manufactured without chlorine. The plastic components are labelled for categorized recycling.

Service and Customer Assistance

www.bosch-pt.com

Great Britain

Robert Bosch Ltd. (B.S.C.)
P.O. Box 98
Broadwater Park
North Orbital Road
Denham-Uxbridge
GB-Middlesex UB 9 5HJ

☎ Service +44 (0) 18 95 / 83 87 82

☎ Advice line +44 (0) 18 95 / 83 87 91

Fax +44 (0) 18 95 / 83 87 99

Ireland

Beaver Distribution Ltd.
Greenhills Road
IRL-Tallaght-Dublin 24

☎ Service +353 (0)1 / 414 9400

Fax +353 (0)1 / 459 8030

Australia

Robert Bosch Australia L.t.d.
RBAU/SPT2
1555 Centre Road
P.O. Box 66 Clayton
AUS-3168 Clayton/Victoria

☎ +61 (0)1 / 800 804 777

Fax +61 (0)1 / 800 819 520

www.bosch.com.au

E-Mail: CustomerSupportSPT@au.bosch.com

New Zealand

Robert Bosch Limited
14-16 Constellation Drive
Mairangi Bay
Auckland
New Zealand

☎ +64 (0)9 / 47 86 158

Fax +64 (0)9 / 47 82 914

CE Declaration of Conformity

We declare under our sole responsibility that this product is in conformity with the following standards or standardization documents: EN 50 144 according to the provisions of the directives 89/336/EEC, 98/37/EC.

Dr. Gerhard Felten

Dr. Eckerhard Strötgen

ppa. Felten

i. V. Strötgen

Robert Bosch GmbH, Geschäftsbereich Elektrowerkzeuge

Subject to change without notice

Safety instructions

Warning! When using electric tools, basic safety precautions should always be followed to reduce the risk of fire, electric shock and personal injury, including the following. Read all these instructions before operating this product and save these instructions.

For safe operation:

- 1. Keep work area clean**
Cluttered areas and benches invite injuries.
- 2. Consider work area environment**
Do not expose power tools to rain. Do not use power tools in damp or wet locations. Keep work area well lit. Do not use power tools where there is risk to cause fire or explosion.
- 3. Guard against electric shock**
Avoid body contact with earthed or grounded surfaces (e. g. pipes, radiators, ranges, refrigerators).
- 4. Keep children away**
Do not let visitors touch the tool or extension cord. All visitors should be kept away from work area.
- 5. Store idle tools**
When not in use, tools should be stored in a dry, high or locked up place, out of reach of children.
- 6. Do not force the tool**
It will do the job better and safer at the rate for which it was intended.
- 7. Use the right tool**
Do not force small tools or attachments to do the job of a heavy duty tool. Do not use tools for purposes not intended; for example, do not use circular saws to cut tree limbs or logs.
- 8. Dress properly**
Do not wear loose clothing or jewellery, they can be caught in moving parts. Rubber gloves and non-skid footwear are recommended when working outdoors. Wear protecting hair covering to contain long hair.
- 9. Use safety glasses**
Also use face or dust mask if the cutting operation is dusty.
- 10. Connect dust extraction equipment**
If devices are provided for the connection of dust extraction and collection facilities ensure these are connected and properly used.
- 11. Do not abuse the cord**
Never carry the tool by the cord or yank it to disconnect it from the socket. Keep the cord away from heat, oil and sharp edges.
- 12. Secure work**
Use clamps or a vice to hold the work. It is safer than using your hand and it frees both hands to operate the tool.
- 13. Do not overreach**
Keep proper footing and balance at all times.
- 14. Maintain tools with care**
Keep cutting tools sharp and clean for better and safer performance. Follow instructions for lubrication and changing accessories. Inspect tool cord periodically and if damaged have it repaired by an authorized service facility. Inspect extension cords periodically and replace, if damaged. Keep handles dry, clean and free from oil and grease.
- 15. Disconnect tools**
When not in use, before servicing and when changing accessories such as blades, bits and cutters.
- 16. Remove adjusting keys and wrenches**
Form the habit of checking to see that keys and adjusting wrenches are removed from the tool before turning it on.
- 17. Avoid unintentional starting**
Do not carry a plugged-in tool with a finger on the switch. Ensure switch is off when plugging in.
- 18. Use outdoor extension leads**
When tool is used outdoors, use only extension cords intended for outdoor use.
- 19. Stay alert**
Watch what you are doing. Use common sense. Do not operate tool when you are tired.
- 20. Check damaged parts**
Before further use of the tool, a guard or other part that is damaged should be carefully checked to determine that it will operate properly and perform its intended function. Check for alignment of moving parts, free running of moving parts, breakage of parts, mounting and any other conditions that may affect its operation.
A guard or other part that is damaged should be properly repaired or replaced by an authorized service centre unless otherwise indicated in this instruction manual. Have defective switches replaced by an authorized service facility. Do not use the tool if the switch does not turn it on and off.
- 21. Warning**
Use the tool, accessories and tool bits etc., in accordance with these instructions and in the manner intended for the particular type of tool taking into account the working conditions and the work to be performed.
Use of the tool for operations different from those normally expected to be performed for the particular tool could result in a hazardous situation.
- 22. Have your tool repaired by a qualified person**
This electric tool is in accordance with the relevant safety requirements. Repairs should only be carried out by qualified persons using original spare parts, otherwise this may result in considerable danger to the user.