

**AZATOM®**  
ADVANCING AUDIO TECHNOLOGY

# AZATOM® Droid

Portable Bluetooth™ Speaker



# User Manual



*This manual is available to download online at [www.azatom.com](http://www.azatom.com)*



Thank you for shopping with **AZATOM®** Please read this manual carefully before using your new device and keep it safe for future reference.

The **Droid** is one of our most advanced Bluetooth™ speakers with a premium speaker driver and a passive sub-woofer combined with sound processing technology for rich, crisp fuller sounding music.

The **Droid** is small enough to put in a bag and take with you but provides a rich, powerful sound a world away from standard portable speakers.

Bluetooth™ allows you to stream your content wirelessly from any Bluetooth-enabled device including phones, tablets and laptops.

A custom amplifier combined with a High Fidelity Driver ensure that whether you are streaming music, a podcast or the soundtrack to a film, the Droid delivers superb quality.



**FREE Earphones** with every review left online at [amazon.co.uk](http://amazon.co.uk) or [ebay.co.uk](http://ebay.co.uk)  
Fill in our easy online form to claim yours!

# Contents

<b>Section:</b>	<b>Page:</b>
What's In The Box?.....	1
Controls & Interface.....	3
Using the Droid.....	4
Maintenance.....	6
Technical Specifications.....	7
Troubleshooting Guide.....	8
Important Safety Information.....	9

Grab your free extended warranty & keep up to date with AZATOM® online at [www.azatom.com](http://www.azatom.com)



**AZATOM®**

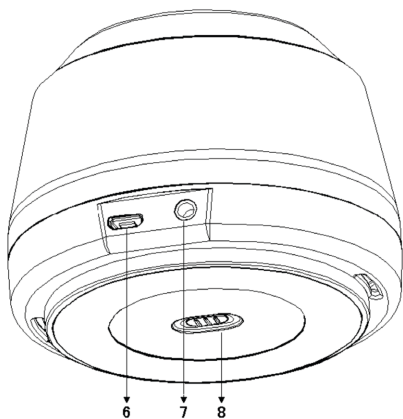
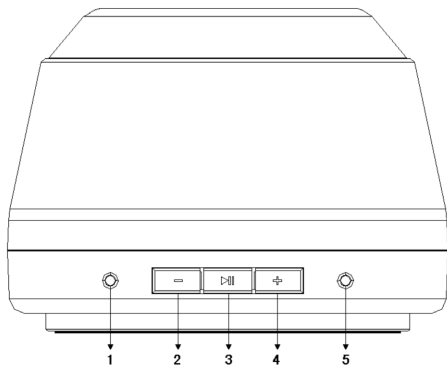
**2 YEAR PROTECT  
PREMIUM**

# What's in the box?



- **AZATOM® Droid Portable Bluetooth™ Speaker**
- **User Manual**
- **Power Adapter**
- **Aux Cable**
- **AZATOM® Warranty Card**

# Controls & Interface



1. **Charge Light: Red Light indicates the Battery is charging the Light goes out when the Battery is fully charged.**
2. **Volume Down (-)**
3. **Play/Pause (Short Press for song Play / Pause), Long Press for Bluetooth on / off / pair**
4. **Volume Up (+)**
5. **Operation Light: Bluetooth and Line-in operation light**
6. **DC Input (MicroUSB Port)**
7. **Line-in Port**
8. **Power Switch (ON/OFF)**



**FREE Earphones** with every review left online at [amazon.co.uk](http://amazon.co.uk) or [ebay.co.uk](http://ebay.co.uk)  
Fill in our easy online form to claim yours!

# Using the Droid

## Getting Started.

The first time you use the Droid Speaker to connect to your Bluetooth Device (*Mobile Phone, Tablet, Laptop etc.*):

1. Switch the unit ON
2. Press the Play / Pause button for 3 seconds to put the speaker into Bluetooth Mode
3. Then Press the Play / Pause Button for a further 5 seconds to put the Droid into Bluetooth Pairing Mode:  
*the blue light will start to flash rapidly: This signals that the speaker is in pairing mode and ready to connect to your smart phone, tablet or other Bluetooth device*
4. The Droid will come up on your Bluetooth device as "AZATOM Droid"
5. If your Bluetooth Device prompts you for a password, enter digits "0000" and press OK  
*(some devices also ask you to accept the connection)*
6. When the connection is successful the blue light will once every 2 seconds.

*When playing music on your Droid Speaker you can control the volume either using the buttons on the speaker or from your Bluetooth device.*



**FREE Earphones** with every review left online at [amazon.co.uk](http://amazon.co.uk) or [ebay.co.uk](http://ebay.co.uk)  
**Fill in our easy online form to claim yours!**



**To disconnect your Bluetooth Device from the Droid Speaker:**

1. Choose to disconnect on your Bluetooth Device
2. The blue light will revert back to flashing twice every 2 seconds
3. Your Bluetooth Device will automatically reconnect to the Droid Speaker when you open the Bluetooth signal on your phone within range of the speaker.

**The second time you use the Droid Speaker to connect to your Bluetooth Device (Mobile Phone, Tablet, Laptop etc.):**

1. Open the Bluetooth signal on your Device first. Then switch on the Droid Speaker and pairing will be automatic.
2. If the connection has been lost or has failed – pair as per the instructions for the first time you connect.

**Pairing a different Bluetooth Device:**

1. Disconnect the first Bluetooth Device
2. Connect the new Device as per the instructions for connecting for the first time.

*When connecting your audio device using the AUX (3.5mm Jack) Cable, the Bluetooth functions will not work. The Blue Light will stay on. You can adjust the volume from your Audio Device or the Droid.*

# Maintenance

Please use these instructions to keep your Droid the best it can be :

- (1) If you have not used the speaker for over 45 days, the battery switches into Protection Mode. To ensure the lifespan of the battery, please fully discharge and recharge the unit every 45 Days.
- (2) To clean the exterior surface of your Droid, you can wipe it using a soft, dry cloth.
  - do not use solvents, chemicals or sprays
  - do not allow liquids or other objects to enter the speaker
- (3) Permanent hearing damage or hearing loss may occur if you play music at a high volume, particularly for extended periods. If you hear a "hissing" noise in your ears, or if you experience discomfort, lower the volume, or temporarily discontinue use of this product until discomfort subsides.
- (4) Observe all signs or instructions that require electrical devices to be switched off.
- (5) It is recommended that you allow the battery to fully charge before using the device for the first time.  
*(Ideally we recommend leaving the unit in to charge for 10 hours).*
- (6) The effective range for this wireless device is 21 metres. Performance may be affected by distance and interference from other devices or conditions within the operating environment.
- (7) Other electrical items and wireless devices may affect the performance of the speaker.
- (8) Check the laws and regulations on the use of mobile phones and hands-free equipment in areas you intend to use this product.



**FREE Earphones** with every review left online at [amazon.co.uk](http://amazon.co.uk) or [ebay.co.uk](http://ebay.co.uk)  
Fill in our easy online form to claim yours!

# Technical Specifications

<b>Maximum Output Power:</b>	5W THD=10%
<b>Audio Inputs:</b>	3.5mm Jack
<b>Power Input:</b>	Micro USB cable
<b>Frequency Response:</b>	150-18,000Hz ( $\pm 3$ dB)
<b>Signal-to-Noise Ratio:</b>	$\geq 60$ dB
<b>Channel Separation:</b>	$\geq 40$ dB
<b>Channel Imbalance:</b>	$\leq 3$ dB
<b>Bluetooth Sensitivity:</b>	-80dBm
<b>Bluetooth Transmitting Power:</b>	4dBm
<b>Wireless Transmitting Range:</b>	$\geq 10$ metres
<b>Bluetooth® Specification:</b>	v.4.0
<b>Driver Size:</b>	52mm
<b>Bass Radiator Dimensions:</b>	52mm
<b>Battery Capacity:</b>	1,200mAh

## Disclaimer:

The Droid has been extensively tested to provide reasonable protection against harmful interference in a residential environment. The equipment generates uses and can radiate radio frequency energy and should be used in accordance with these instructions.

However, there is no guarantee that interference to TV or Radio will not occur in a particular installation. If this equipment does cause any interference or is subject to interference, the user is encouraged to try to correct this by one or more of the following:

- Reorient or move the receiving antennae
- Increase the separation between the Droid and other electrical items
- Connect the Droid to a different power outlet to that of other equipment

# Troubleshooting Guide

Problem	Solution
The speaker doesn't seem to work	<ul style="list-style-type: none"> <li>• Battery is flat: Charge the unit</li> <li>• The audio cable is plugged into the Droid but not connected to your Audio Device</li> </ul>
Cannot Pair / Connect to my Bluetooth Device	<ul style="list-style-type: none"> <li>• Droid Speaker is not in Pairing Mode: Long press the Play / Pause button to put the Droid into pairing mode. The Blue Light will then flash and the unit is ready for pairing.</li> </ul>
Bluetooth cannot Play and Pause	<ul style="list-style-type: none"> <li>• Make sure you are connected via Bluetooth</li> <li>• Remove any obstructions in the path between the Bluetooth device and the Droid Speaker</li> <li>• Ensure you are not out of range of the Droid (usually upto 10 metres)</li> </ul>
Speaker distortion (sound not normal or unclear)	<ul style="list-style-type: none"> <li>• Try lowering the Volume</li> <li>• Try a different song</li> <li>• Make sure the Droid is charged</li> </ul>
NO Sound (even when the Volume is turned up, there is no Sound or very little sound)	<ul style="list-style-type: none"> <li>• Adjust the volume on the Bluetooth device</li> <li>• Make sure the Droid is charged</li> <li>• Pair the Bluetooth Devices again</li> </ul>
The Speaker is Heating up	<p>The speaker will heat up due to extended use, particularly at high volumes; and also due to a hot environment:</p> <ul style="list-style-type: none"> <li>• Stop using the speaker for a short period to allow it to cool down</li> <li>• Turn the volume down</li> <li>• Move to a cooler area</li> </ul>

# IMPORTANT SAFETY INFORMATION

1. Read these instructions.
2. Keep these instructions. Instructions are also available for download at [www.azatom.com](http://www.azatom.com)
3. Heed all Warnings.
4. Follow all instructions.
5. Do not clean the apparatus near or with water.
6. Clean only with a dry cloth.
7. Do not block any ventilation openings. Install in accordance with the manufacturer's instructions.
8. Do not install near any heat sources such as radiators, heat registers, stoves, or other apparatus (including amplifiers) that produce heat.
9. Protect the power cord from being walked on or pinched particularly at plugs, convenience receptacles, and the point where they exit from the apparatus.
10. Only use attachments/accessories specified by the manufacturer.
11. Unplug this apparatus during light storms or when unused for long periods of time.
12. Refer all servicing to qualified service personnel.

*Servicing is required when the apparatus has been damaged in any way, such as powersupply cord or plug is damaged, liquid has been spilled or objects have fallen into the apparatus, the apparatus has been exposed to rain or moisture, does not operate normally or has been dropped.*

13. No naked flame sources, such as lit candles, should be placed on the apparatus.
14. Dispose of used electrical products and batteries safely according to your local authority and regulations.

## ADDITIONAL WARNINGS

The apparatus shall not be exposed to dripping or splashing and no objects filled with liquid, such as vases, shall be placed on apparatus.

Main plug is used to disconnect device and it should remain readily operable during intended use. In order to disconnect the apparatus from the main mains completely, the mains plug should be disconnected from the main socket outlet completely.

Battery shall not be exposed to excessive heat such as sunshine, fire or the like.

## RECYCLING ELECTRICAL PRODUCTS

You should now recycle your waste electrical goods and in doing so help the environment.



This symbol means an electrical product should not be disposed of with normal household waste. Please ensure it is taken to a suitable facility for disposal when finished with.



**IMPORTANT:** Please read all instructions carefully before use and keep for future reference



• Risk of electric shock.  
Do not open



• Read all instructions carefully before use and keep for future reference.



• When servicing, use only identical replacement parts.



**CAUTION**

RISK OF ELECTRIC SHOCK  
DO NOT OPEN



**ATTENTION**

RISQUE D'ELECTROCUTION  
NE PAS OUVRIR



# AZATOM<sup>®</sup>

*ADVANCING AUDIO TECHNOLOGY*

## Get to know us

Azatom brand is a UK-based high-tech company owned by 4Cool Technology Ltd which specialises in creating innovative speaker systems and high-end partner products for iPads, iPhones, iPods and other Tablets and Smartphones. We have a clear focus on improving sound performance for digital products. Azatom has unique, proprietary technology in the areas of DSP (Digital Sound Processing), Airflow and Shape design which we combine to make some of the most exciting systems on the market.

We are constantly evolving our designs and incorporating the very latest innovations in technology to stay at the forefront of digital sound. As phones and tablets have become the media hubs for people's lives Azatom products deliver the technology and sound quality to give people greater freedom and enjoyment from their devices.

We are a fast-growing technology firm with a clear focus on developing new sound technologies and innovative, high quality products. Our R&D is based at our Headquarters in Netpark, a Technology cluster here in the UK. Here we develop new technology, develop patents, carry out studio sound testing and undertake all aspects of the design of new products. We have the expertise to take new technologies and innovations from ideas through to class-leading products.

## Technology put through its paces

We use the latest software and equipment to tune our speakers and use studio space to create the best sounding systems at their respective prices: Our compact speaker systems produce the sound of larger, more expensive units. Whilst our larger speaker systems are competitive with units costing many times their price.

Unlike many other companies, we are able to produce superior sound quality through using our own DSP (Digital Sound Processing) microchips, which we have evolved and 'tuned' with extensive studio testing.

The Azatom DSP chipset lies at the heart of many Azatom products. Our DSP chips are constantly being developed and tested to ensure the highest sound performance and reliability for extended use.

The Azatom DSP chip is also tuned to ensure increased Bass performance without the artificial 'added bass' which is common with other systems.

We match our DSP chip with the very best drivers, cones and tweeters to ensure a smooth, rich sound for the complete system. Our Airflow technology works in partnership with the DSP chip and speakers to create the high quality and expansive sounds of larger systems within smaller, portable speaker cabinets; whilst our larger systems are some of the most powerful in the market. Our focus is always to produce the best sounding speakers for playing music from digital devices.

We are passionate about the advances in sound technology and it is our aim to be recognized as one of the leading companies in our field by developing the most advanced technology and exceeding expectations with our products.

# AZATOM®

ADVANCING AUDIO TECHNOLOGY

[www.azatom.com](http://www.azatom.com)



@Azatom



@Azatom\_UK



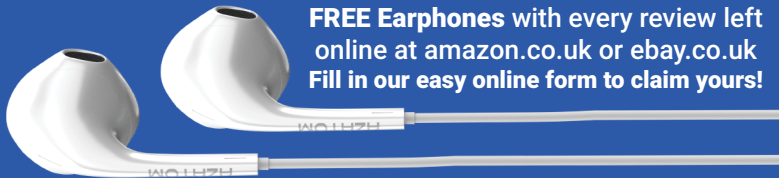
@Azatom.Online

Grab your free extended warranty & keep up to date with AZATOM® online at [www.azatom.com](http://www.azatom.com)



AZATOM®

2 YEAR PROTECT PREMIUM



**FREE Earphones** with every review left online at [amazon.co.uk](http://amazon.co.uk) or [ebay.co.uk](http://ebay.co.uk)  
Fill in our easy online form to claim yours!