



Carhartt Workshop Quick Start Guide

DeWalt Oscillating Multi-Tool DCS355D1

[User Manual](#)

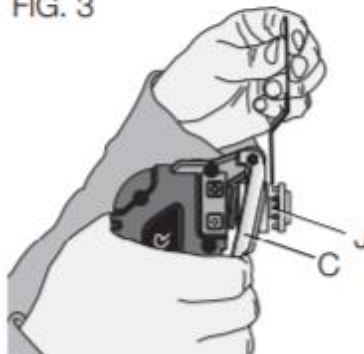
Information pertinent to setup:

- This tool is intended to be used for detail sanding, plunge cutting, flush cutting, removal of excess materials and surface preparation.
- Do not use in wet conditions or in the presence of flammable gas or liquid.
- Tool comes with sanding head, wood blade, depth guide, and universal adaptor nut with washer.
- Make sure area is well ventilated as this tool can produce airborne debris.

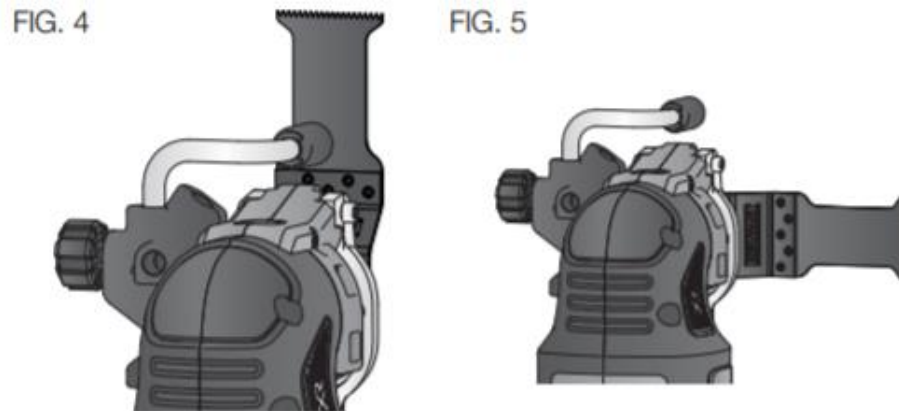
Information pertinent to usage:

- **Ensure you know where electrical and power lines are before cutting into floors, walls, or any other area.**
- This tool features a quick-change accessory system. This allows for faster accessory changes without the need for wrenches or hex keys like other oscillating tool systems.
 - ***Before Changing attachments always disconnect from power and remove battery**
 - 1. Grasp the tool and squeeze the accessory clamping lever (C) as shown in Figure 3.
 - 2. Clean any residual debris from the tool shaft and the accessory holder.
 - 3. Slide the accessory between the shaft (J) and the accessory holder making sure the accessory engages all eight pins on the holder and is flush with the shaft.
 - 4. Release the accessory clamp lever.

FIG. 3



NOTE: Some accessories, such as scrapers and blades, can be mounted at an angle if required as shown in Figure 5.



Information pertinent to Safety: (PPE (Personal Protective Equipment) (Personal Protective Equip), workspace, etc.)

- Familiarize yourself with the tool.
 - Make sure you are using the right tool for the job.
 - Get to know its safety features, moving parts, and hazards before beginning work.
 - Inspect tool for damage.
 - Never modify, tamper with, or attempt to change or repair tools and parts on your own.
 - If you suspect that a tool may be damaged, malfunctioning or in need of repair, stop usage immediately, disconnect from power source, and contact the Carhartt Workshop.
- Secure a safe workspace.
 - Make sure you are working on a clean, dry, level surface.
 - Clear any debris, trip, slip, fall hazards.
 - Make sure your workspace is properly lit.
 - Check that your workspace has proper clearance and is free of obstructions. Including overhead obstructions such as power lines.
- Wear proper PPE
 - Do your research and use the proper PPE with the correct safety ratings for the work you are performing.
 - This includes but is not limited to safety glasses, face shields, earplugs, dust masks, clothes toed shoes, and proper clothing and footwear.
 - Never wear baggy clothes, jewelry, or have longhair down and unsecured.
- Handle Tools with care
 - Never carry power tools by their cords
 - Never leave tools unattended.
 - Disconnect from power and secure tools when they are not in use.
 - Do not carry sharp or pointed tools in your pockets.
- Take your time
 - Do not rush or force materials through tools.
 - Pay attention to your work and surroundings.