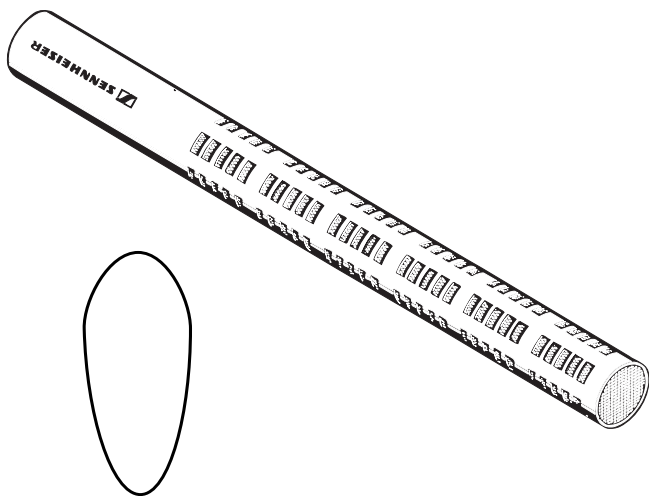


ME 66

Bedienungsanleitung
Instructions for use
Notice d'emploi
Istruzioni per l'uso
Instrucciones para el uso
Gebruiksaanwijzing



SYSTEM K6

ME 66

Mikrofonmodul passend zum Speiseadapter K6 oder K6P.

Technische Daten

Übertragungsbereich	40 - 20000 Hz \pm 2,5 dB
Richtcharakteristik	Keule / Superniere
Freifeldleerlaufübertragungsfaktor	50 mV/Pa \pm 2,5 dB
Ersatzgeräuschpegel	10 dB (nach DIN IEC 651) 21 dB (nach CCIR 468-3)
Grenzschalldruck bei K = 1%	125 dB(A) bei 1 kHz
Abmessungen in mm	221 x 22,5
Gewicht	65 g

Microphone module suitable for powering module K6 or K6P.

Technical data

Frequency response	40 - 20000 Hz \pm 2.5 dB
Pick-up pattern	supercardioid / lobe
Free field no-load sensitivity	50 mV/Pa \pm 2.5 dB
Equivalent sound pressure level	10 dB (as per DIN IEC 651) 21 dB (as per CCIR 468-3)
Max. sound pressure level for K = 1%	125 dB(A) for 1 kHz
Dimensions in mm	221 x 22.5
Weight	65 g

Module microphone pour l'adaptateur d'alimentation K6 ou K6P.

Caractéristiques techniques

Bande passante	40 - 20000 Hz \pm 2,5 dB
Directivité	supercardiöide / lobe
Facteur de transmission à vide	50 mV/Pa \pm 2,5 dB
Volume sonore équivalent	10 dB (selon DIN IEC 651) 21 dB (selon CCIR 468-3)
Limite de pression acoustique à K = 1%	125 dB(A) à 1 kHz
Dimensions en mm	221 x 22,5
Poids	65 g

Änderungen vorbehalten / Subject to alterations / Sous réserve de modification.

Modulo microfono adatto all'adattatore di alimentazione K6 o K6P.

Dati tecnici

Gamma di frequenza	40 - 20000 Hz \pm 2,5 dB
Direttività	supercardioide / clava
Coefficiente di trasmissione a vuoto	50 mV/Pa \pm 2,5 dB
Livello di rumore equivalente	10 dB (secondo DIN IEC 651) 21 dB (secondo CCIR 468-3)
Pressione acustica limite a K = 1%	125 dB(A) a 1 kHz
Dimensioni in mm	221 x 22,5
Peso	65 g

Modulo micrófono para el adaptador de alimentación K6 o K6P.

Características técnicas

Gama de frecuencia	40 - 20000 Hz \pm 2,5 dB
Directividad	supercardioide / lobular
Factor de transmisión en vacío	50 mV/Pa \pm 2,5 dB
Volumen sonoro equivalente	10 dB (según DIN IEC 651) 21 dB (según CCIR 468-3)
Límite de presión acústica a K = 1%	125 dB(A) a 1 kHz
Dimensiones en mm	221 x 22,5
Peso	65 g

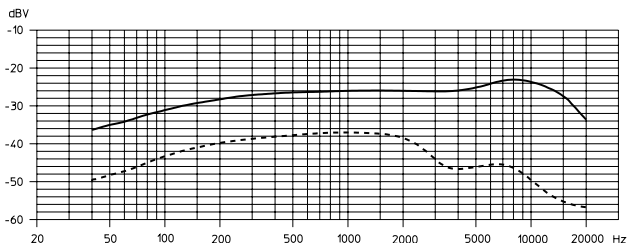
Mikrofoonmoduul behorend bij de netadapter K6 of K6P.

Technische gegevens

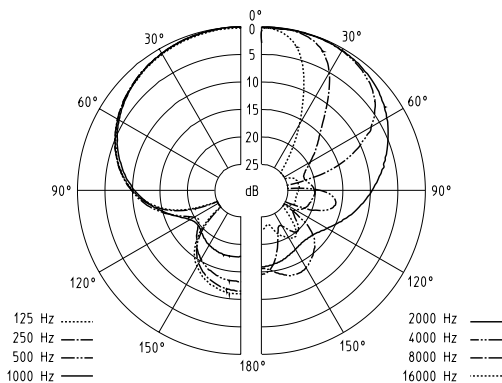
Weergavebereik	40 - 20000 Hz \pm 2,5 dB
Richtkarakteristiek	Supernier / keul
Onbelaste werking frequ.-faktor veld	50 mV/Pa \pm 2,5 dB
Vervangend geluidsdrumniveau	10 dB (volgens DIN IEC 651) 21 dB (volgens CCIR 468-3)
Max. geluidsdrumniveau bij K = 1%	125 dB(A) bij 1 kHz
Afmetingen in mm	221 x 22,5
Gewicht	65 g

Con riserva di modifiche / Modificaciones reservadas / Wijzigingen voorbehouden.

Soll-Frequenzgang (0° und 90°) / Polardiagramm
 Nominal frequency response (0° und 90°) / Pick-up pattern
 Réponse en fréquence (0° und 90°) / Diagramme de la directivité
 Risposta in frequenza (0° und 90°) / Diagramma polare
 Respuesta en frecuencia (0° und 90°) / Diagrama de la directividad
 Ingestelde frequentiekarakteristiek (0° und 90°) / Pooldiagrammen



— 0° - - - - 90°



Sennheiser electronic GmbH & Co. KG
 30900 Wedemark, Germany

Phone +49 (05130) 600 0
 Fax +49 (05130) 600 300
www.sennheiser.com

Printed in Germany

Publ. 05/04 50993/A05

K6

Microphones | Powering Module

Cat. No. 003279

General Description

The K6 powering module is the heart of this Sennheiser professional modular microphone system and can be powered either by its internal 'AA' size 1.5 V battery or by 12 – 48 V phantom power. The K6 can be combined with different condenser microphone heads to provide a wide variety of polar patterns. Matt black, anodised scratch-resistant finish.



Cable pictured is an accessory not supplied with the powering module

Features

- Switchable bass roll-off filter protects against rumble, handling, pop and wind noise
- On/off switch with battery test
- High output, low noise
- Transformerless balanced output on 3-pin XLR connector
- Delivery includes: 1 K6 powering module
 - 1 MZQ 200 microphone clamp
 - 1 AA battery
 - 1 protective carrying case

Recommended Accessories

- ME 62 microphone head, omni-directional Cat. No. 003281
- ME 64 microphone head, cardioid Cat. No. 003282
- ME 65 microphone head, super-cardioid Cat. No. 003283
- ME 66 microphone head, short gun Cat. No. 003284
- ME 67 microphone head, long gun Cat. No. 003285
- MKE 2-60 Gold-C clip-on microphone, omni-directional Cat. No. 004733
- ME 102/104/105 mini-modular system
- MZS 6 shock mount Cat. No. 003287
- MZQ 6 quick release clamp Cat. No. 003288

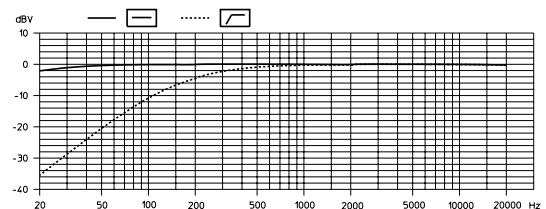
Product Variants

- K6-C: as K6, but without accessories Cat. No. 003861
- K6-CL: as K6-C, but with lower sensitivity Cat. No. 004032

Technical Data

Frequency response	30 – 20,000 Hz - 1 dB
Transmission factor (1 kHz)	0 dB
Nominal impedance	200 Ω
Min. terminating impedance	1 kΩ
Max. output voltage.....	2 V (at 1 kHz)
Power supply	phantom 12 - 48 V (± 4 V) or 1.5 V AA size battery
Supply current.....	2.2 mA
Battery life	approx. 150 hrs
Dimensions	155 x Ø 22 mm
Resultant length*	94 mm
Weight	approx. 45 g

* Resultant length: this is the figure you need to add to the microphone head length to give the overall length of the complete microphone.



Profile

Powering module for battery/phantom powering with switchable roll-off filter, battery on/off switch with battery test. Suitable for ME 62 – ME 67 microphone heads and -60 versions of MKE microphones. Transmission factor 0 dB at 1 kHz, nominal impedance 200 Ω, min. terminating impedance 1 kΩ, max. output voltage 2 V (at 1 kHz), power supply: phantom powering 12 – 48 V or 1.5 V (AA size) alkaline battery, supply current 2.2 mA, battery life approx. 150 hrs, dimensions: Ø 22 x 155 mm, resultant length 94 mm, weight approx. 45 g.